

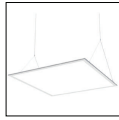


WINLIGHT

WINNER LIGHT CORPORATION CO., LTD.

CATALOGUE 2024

CONTENTS



002 PANEL LIGHT



003 - 010 RECESSED DOWNLIGHT COB



011 - 013 SURFACE DOWNLIGHT COB



014 - 022 TRACK LIGHT



023 - 024 WALL WASHER



025 - 027 STREET LIGHT



028 - 039 FLOOD LIGHT



040 - 052 SPOT LIGHT

PANEL LIGHT

SPECIFICATION

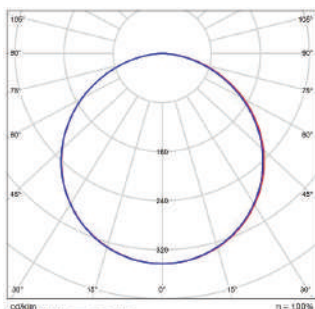
Series	VENUS V2
Input Voltage	220-240Vac , 50Hz
Power Factor	> 0.9
Color Temperature	3000K , 4000K , 6000K
CRI	> 80 Ra
Beam Angle	110°
Driver	TUV CE Certified (Option Dali)
LED Chip	High Quality SMD
Housing Materials	Extruded Aluminium Powder Coated in White
Diffuser	PS
Color	White
Operating Temperature	- 10°C to + 40°C
Protection Class	IP 20
Surge Protection	1KV (Option 2KV)



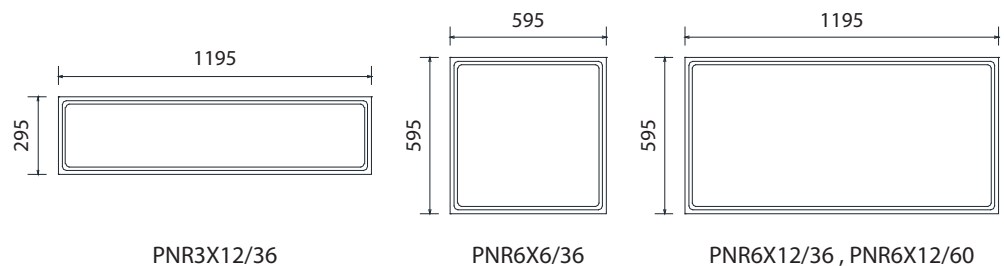
Remark *(All of Tolerances $\pm 10\%$)

Model	Rated Power (W)	Efficacy (lm/W)	Luminous Flux (lm)	Dimension WxLxH (mm)	Weight (kg)
PNR3X6/22	22	100	2200	595 x 295 x 30	1.3
PNR6X6/36	36	115	4140	595 x 595 x 25	1.4
PNR3X12/36	36	115	4140	1195 x 295 x 25	1.5
PNR6X12/36	36	115	4140	1195 x 595 x 30	3.0
PNR6X12/60	60	115	6900	1195 x 595 x 30	3.2

Light Distribution Curve



110°



Dimension Drawing (mm)



RECESSED DOWNLIGHT COB

SPECIFICATION

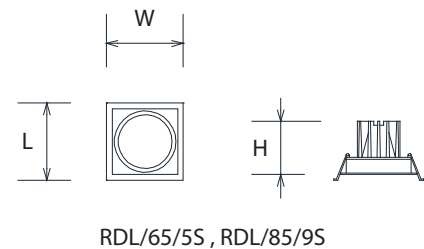
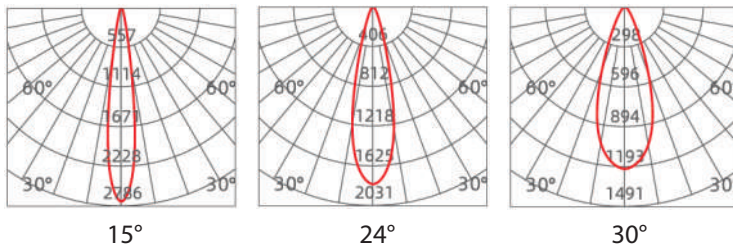
Series	ALMACH V1
Input Voltage	220-240Vdc , 50Hz
Color Temperature	3000K , 4000K , 5000K
CRI	≥ 90 Ra
Unified Glare Rating (UGR)	< 22
Housing Materials	Adjustable Aluminium
Color	White , Black
Protection Class	IP 20
Controls	ON / OFF



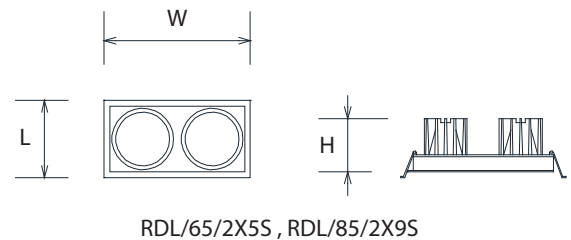
Remark *(All of Tolerances ± 10%)

Model	Rated Power (W)	Luminous Flux (lm)	Beam Angle	Dimension WxLxH (mm)	Cut Out WxL (mm)
RDL/65/5S	5	460	15°/24°/30°/36°	80 x 80 x 54	65 x 65
RDL/85/9S	9	828	15°/24°/30°/36°	100 x 100 x 69	85 x 85
RDL/65/2X5S	2x5	920	15°/24°/30°/36°	150 x 80 x 54	135 x 65
RDL/85/2X9S	2x9	1650	15°/24°/30°/36°	190 x 100 x 69	175 x 85

Light Distribution Curve



Replaceable Heatsink Assembly



Dimension Drawing (mm)



RECESSED DOWNLIGHT COB

SPECIFICATION

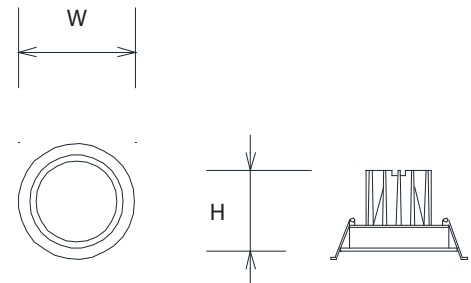
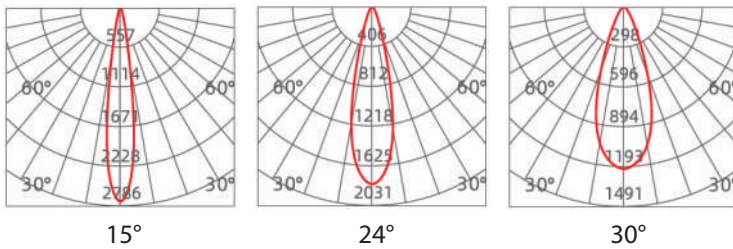
Series	ALMACH V1/1
Input Voltage	220-240Vdc , 50Hz
Color Temperature	3000K , 4000K , 5000K
CRI	≥ 90 Ra
Unified Glare Rating (UGR)	< 22
Housing Materials	Adjustable Aluminium
Color	White , Black
Protection Class	IP 20
Controls	ON / OFF



Remark *(All of Tolerances ± 10%)

Model	Rated Power (W)	Luminous Flux (lm)	Beam Angle	Dimension WxH (mm)	Cut Out (mm)
RDL/65/5C	5	460	15°/24°/30°	Ø 80 x 54	Ø 65
RDL/85/9C	9	828	15°/24°/30°	Ø 100 x 69	Ø 85

Light Distribution Curve



Replaceable Heatsink Assembly



Dimension Drawing (mm)



RECESSED DOWNLIGHT COB

SPECIFICATION

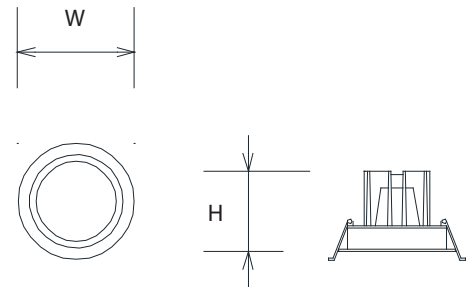
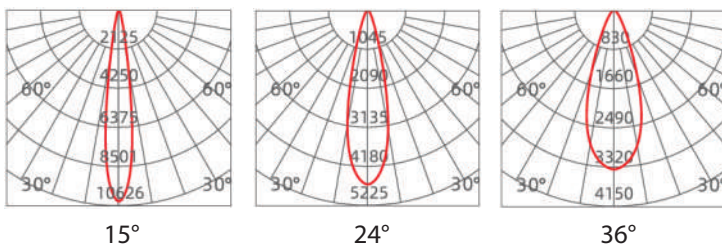
Series	ALMACH V1/2
Input Voltage	220-240Vdc , 50Hz
Color Temperature	3000K , 4000K , 5000K
CRI	≥ 90 Ra
Unified Glare Rating (UGR)	< 22
Housing Materials	Adjustable Aluminium
Color	White , Black
Protection Class	IP 20
Controls	ON / OFF



Remark *(All of Tolerances ± 10%)

Model	Rated Power (W)	Luminous Flux (lm)	Beam Angle	Dimension WxH (mm)	Cut Out (mm)
RDL/60/5C	5	420	15°/24°/36°	Ø 71 x 47.5	Ø 60
RDL/75/7C	7	525	15°/24°/36°	Ø 85 x 58	Ø 75
RDL/75/9C	9	675	15°/24°/36°	Ø 85 x 58	Ø 75
RDL/85/12C	12	985	15°/24°/36°	Ø 95 x 65	Ø 85
RDL/95/15C	15	1270	15°/24°/36°	Ø 110 x 74.5	Ø 95

Light Distribution Curve



Replaceable Heatsink Assembly



Dimension Drawing (mm)



RECESSED DOWNLIGHT COB

SPECIFICATION

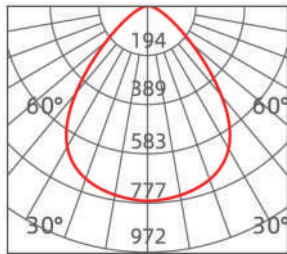
Series	ZETA V2
Input Voltage	220-240Vdc , 50Hz
Color Temperature	3000K , 4000K , 5000K
CRI	≥ 90 Ra
Unified Glare Rating (UGR)	< 19
Housing Materials	Fixed Aluminium
Color	White
Protection Class	IP 20
Controls	ON / OFF



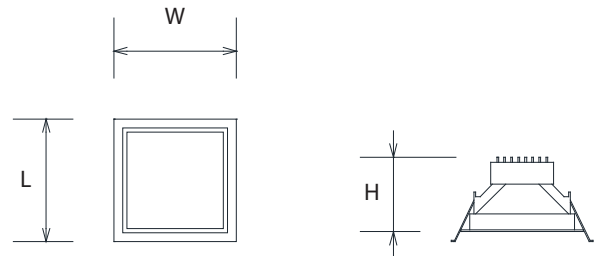
Remark *(All of Tolerances ± 10%)

Model	Rated Power (W)	Luminous Flux (lm)	Beam Angle	Dimension WxLxH (mm)	Cut Out WxL (mm)
RDL/120/15S	15	1100	70°	140 x 140 x 85	120 x 120
RDL/140/20S	20	1635	70°	165 x 165 x 100	140 x 140

Light Distribution Curve



70°



Dimension Drawing (mm)



RECESSED DOWNLIGHT COB

SPECIFICATION

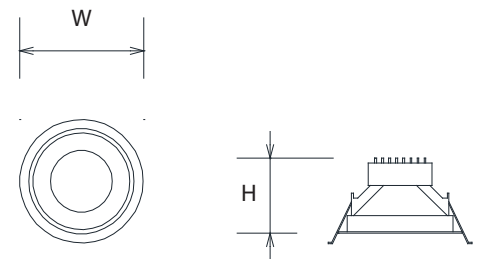
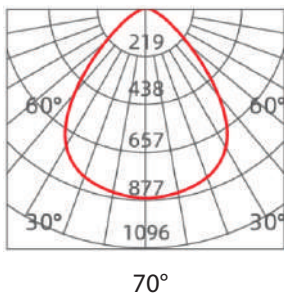
Series	ZETA V2/1
Input Voltage	220-240Vdc , 50Hz
Color Temperature	3000K , 4000K , 5000K
CRI	≥ 90 Ra
Unified Glare Rating (UGR)	< 19
Housing Materials	Fixed Aluminium
Color	White
Protection Class	IP 20
Controls	ON / OFF



Remark *(All of Tolerances ± 10%)

Model	Rated Power (W)	Luminous Flux (lm)	Beam Angle	Dimension WxH (mm)	Cut Out (mm)
RDL/75/7C	7	465	70°	Ø 90 x 55	Ø 75
RDL/95/10C	10	860	70°	Ø 110 x 68	Ø 95
RDL/125/15C	15	1335	70°	Ø 140 x 85	Ø 125
RDL/145/20C	20	1780	70°	Ø 165 x 99	Ø 145
RDL/170/30C	30	2775	70°	Ø 190 x 109	Ø 170
RDL/190/40C	40	3200	70°	Ø 220 x 120	Ø 190

Light Distribution Curve



Dimension Drawing (mm)



RECESSED DOWNLIGHT COB

SPECIFICATION

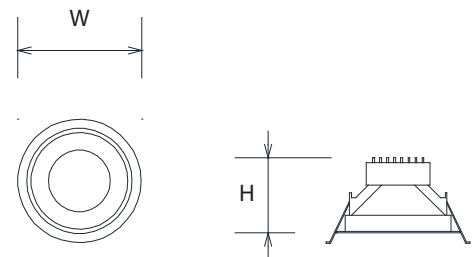
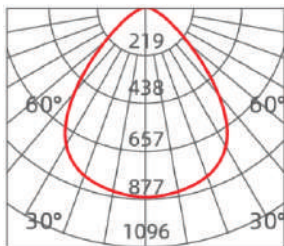
Series	ZETA V2/2
Input Voltage	220-240Vdc , 50Hz
Color Temperature	3000K , 4000K , 5000K
CRI	> 90 Ra
Housing Materials	Fixed Aluminium
Color	White
Protection Class	IP 20
Life Time	50000 Hrs
Controls	ON / OFF , Dali



Remark *(All of Tolerances $\pm 10\%$)

Model	Rated Power (W)	Luminous Flux (lm)	Beam Angle	Dimension WxH (mm)	Cut Out (mm)
RDL/125/13C	13	1170	70°/90°	Ø 140 x 85	Ø 125
RDL/140/13H	13	1170	70°/90°	Ø 140 x 85	Ø 125
RDL/165/18H	18	1620	70°/90°	Ø 165 x 99	Ø 145
RDL/165/18H/D	18	1620	70°/90°	Ø 165 x 99	Ø 145

Light Distribution Curve



Dimension Drawing (mm)



RECESSED DOWNLIGHT COB

SPECIFICATION

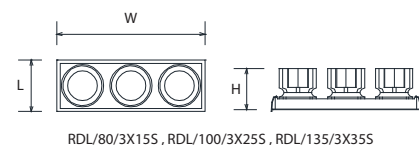
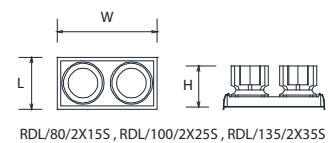
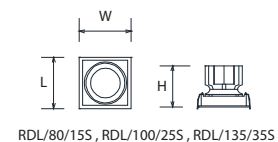
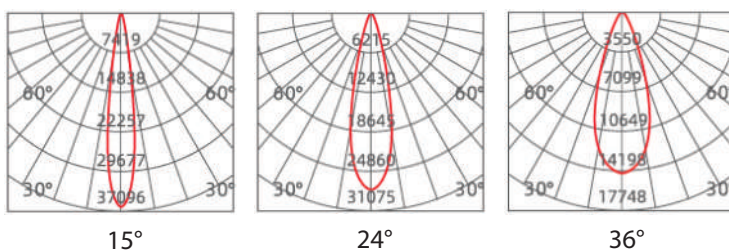
Series	ALKAID V3
Input Voltage	220-240Vdc , 50Hz
Color Temperature	3000K , 4000K , 5000K
CRI	≥ 90 Ra
Unified Glare Rating (UGR)	< 19
Housing Materials	Adjustable Aluminium
Color	White , Black
Protection Class	IP 20
Controls	ON / OFF



Remark *(All of Tolerances ± 10%)

Model	Rated Power (W)	Luminous Flux (lm)	Beam Angle	Dimension WxLxH (mm)	Cut Out WxL (mm)
RDL/80/15S	15	1350	15°/24°/36°	95 x 95 x 77	80 x 80
RDL/100/25S	25	2240	15°/24°/36°	118 x 118 x 98	100 x 100
RDL/135/35S	35	3155	15°/24°/36°	155 x 155 x 123	135 x 135
RDL/80/2X15S	2x15	2700	15°/24°/36°	190 x 95 x 77	175 x 80
RDL/100/2X25S	2x25	4480	15°/24°/36°	231 x 118 x 98	215 x 100
RDL/135/2X35S	2x35	6310	15°/24°/36°	300 x 155 x 123	280 x 135
RDL/80/3X15S	3x15	4005	15°/24°/36°	285 x 95 x 77	270 x 80
RDL/100/3X25S	3x25	6710	15°/24°/36°	344 x 118 x 98	326 x 100
RDL/135/3X35S	3x35	9350	15°/24°/36°	445 x 155 x 123	425 x 135

Light Distribution Curve



Dimension Drawing (mm)



RECESSED DOWNLIGHT COB

SPECIFICATION

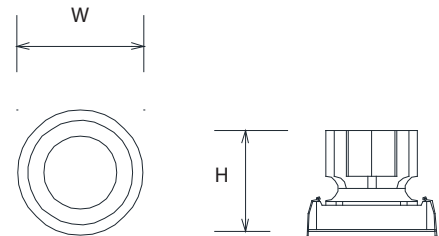
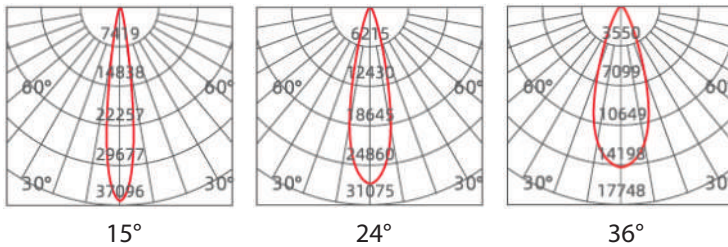
Series	ALKAID V3
Input Voltage	220-240Vdc , 50Hz
Color Temperature	3000K , 4000K , 5000K
CRI	≥ 90 Ra
Unified Glare Rating (UGR)	< 19
Housing Materials	Adjustable Aluminium
Color	White , Black
Protection Class	IP 20
Controls	ON / OFF



Remark *(All of Tolerances ± 10%)

Model	Rated Power (W)	Luminous Flux (lm)	Beam Angle	Dimension WxH (mm)	Cut Out (mm)
RDL/80/15C	15	1350	15°/24°/36°	Ø 98 x 77	Ø 80
RDL/100/25C	25	2240	15°/24°/36°	Ø 120 x 98	Ø 100
RDL/135/35C	35	3155	15°/24°/36°	Ø 158 x 123	Ø 135

Light Distribution Curve



Dimension Drawing (mm)



SURFACE DOWNLIGHT COB

SPECIFICATION

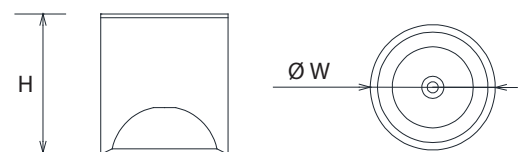
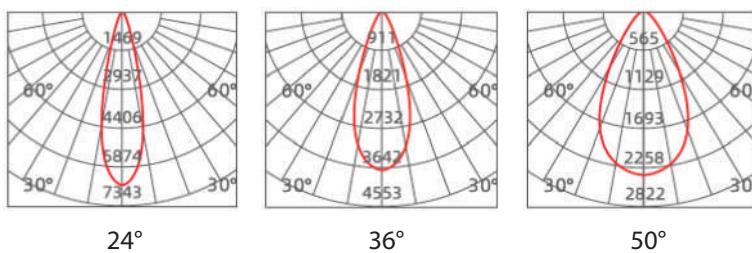
Series	WDL6
Input Voltage	220-240Vdc , 50Hz
Color Temperature	3000K , 4000K , 5000K
CRI	≥ 90 Ra
Unified Glare Rating (UGR)	< 19
Housing Materials	Fixed Aluminium
Color	White
Protection Class	IP 20 : (9W-60W) , IP 65 : (80W-130W)
Controls	ON / OFF



Remark *(All of Tolerances ± 10%)

Model	Rated Power (W)	Luminous Flux (lm)	Beam Angle	Dimension WxH (mm)
WDL6/60/9	9	615	24°/38°	Ø 60 x 80
WDL6/100/15	15	1350	24°/36°/50°/60°	Ø 100 x 110
WDL6/100/20	20	2035	24°/36°/50°/60°	Ø 100 x 110
WDL6/140/30	30	3030	24°/36°/50°/60°	Ø 140 x 144
WDL6/140/35	35	3325	24°/36°/50°/60°	Ø 140 x 144
WDL6/180/50	50	4860	24°/36°/50°/60°	Ø 180 x 182
WDL6/180/60	60	5800	24°/36°/50°/60°	Ø 180 x 182
WDL6/220/80	80	7540	40°/60°	Ø 220 x 220
WDL6/250/130	130	11370	40°/60°	Ø 250 x 250

Light Distribution Curve



Dimension Drawing (mm)



SURFACE DOWNLIGHT COB

SPECIFICATION

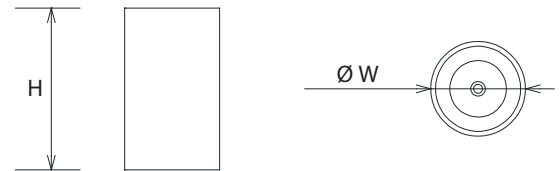
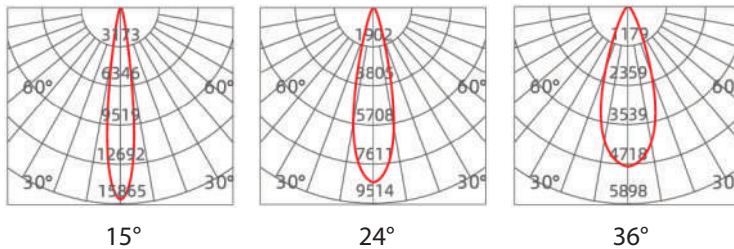
Series	WDL7
Input Voltage	220-240Vdc , 50Hz
Color Temperature	3000K , 4000K , 5000K
CRI	≥ 90 Ra
Unified Glare Rating (UGR)	< 19
Housing Materials	Adjustable Aluminium
Color	White
Protection Class	IP 20
Controls	ON / OFF



Remark *(All of Tolerances ± 10%)

Model	Rated Power (W)	Luminous Flux (lm)	Beam Angle	Dimension WxH (mm)
WDL7/70/9	9	630	15°/24°/36°	Ø 70 x 140
WDL7/100/18	18	1535	15°/24°/36°	Ø 100 x 170

Light Distribution Curve



Dimension Drawing (mm)



SURFACE DOWNLIGHT COB

SPECIFICATION

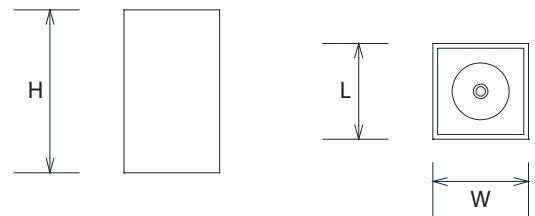
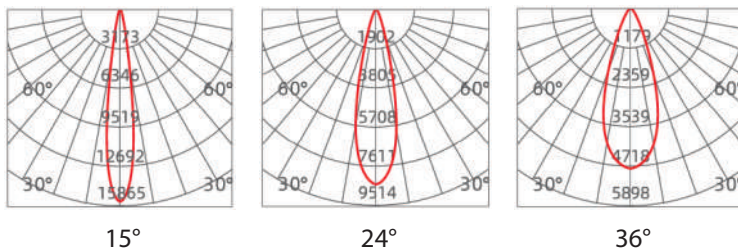
Series	WDL8
Input Voltage	220-240Vdc , 50Hz
Color Temperature	3000K , 4000K , 5000K
CRI	≥ 90 Ra
Unified Glare Rating (UGR)	< 19
Housing Materials	Adjustable Aluminium
Color	White
Protection Class	IP 20
Controls	ON / OFF



Remark *(All of Tolerances ± 10%)

Model	Rated Power (W)	Luminous Flux (lm)	Beam Angle	Dimension WxLxH (mm)
WDL8/70/9	9	630	15°/24°/36°	70 x 70 x 140
WDL8/100/18	18	1535	15°/24°/36°	100 x 100 x 170

Light Distribution Curve



Dimension Drawing (mm)



TRACK LIGHT

SPECIFICATION

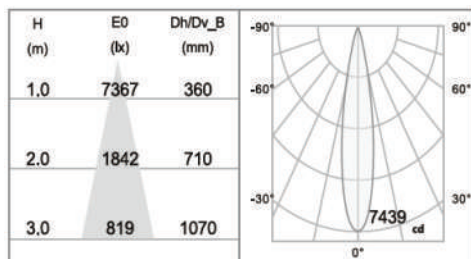
Series	TL/1530/20
Input Voltage	48Vdc
Color Temperature	3000K
CRI	80 Ra
Housing Materials	Aluminium
Color	White , Black , Grey
Protection Class	IP 20



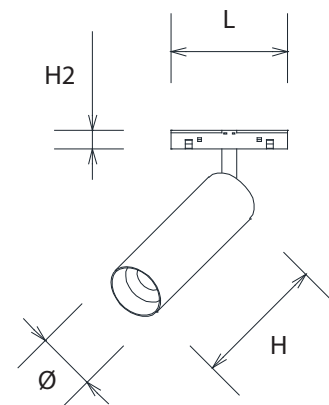
Remark *(All of Tolerances $\pm 10\%$)

Model	Rated Power (W)	Efficacy (lm/W)	Luminous Flux (lm)	Beam Angle	Dimension $\text{\O} \times H \times H2 \times L$ (mm)
TL/1530/20	15	80	1200	20°	58 x 130 x 18 x 115x16

Light Distribution Curve



20°



Dimension Drawing (mm)

Track System



CX-MA



TRACK LIGHT

SPECIFICATION

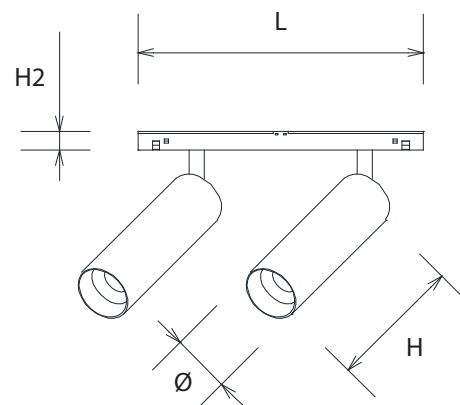
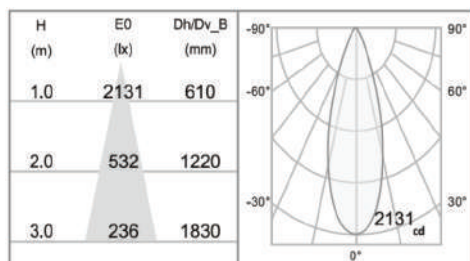
Series	TL/2/1530/36D
Input Voltage	48Vdc
Color Temperature	3000K
CRI	80 Ra
Housing Materials	Aluminium
Color	White , Black , Grey
Protection Class	IP 20



Remark *(All of Tolerances $\pm 10\%$)

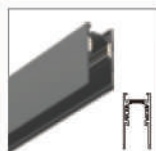
Model	Rated Power (W)	Efficacy (lm/W)	Luminous Flux (lm)	Beam Angle	Dimension $\text{\O} \times H \times H2 \times L$ (mm)
TL/2/1530/36D	2x15	80	2x1200	36°	58 x 130 x 18 x 280x16

Light Distribution Curve



Dimension Drawing (mm)

Track System



CX-MA



TRACK LIGHT

SPECIFICATION

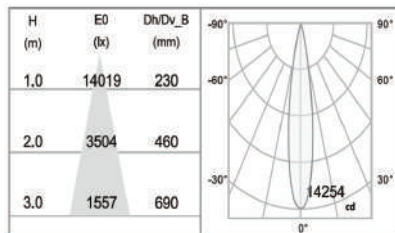
Series	TL/S/4017
Input Voltage	220-240V
Color Temperature	3000K , 4000K
Housing Materials	Aluminium
Color	White , Black , Grey
Protection Class	IP 20



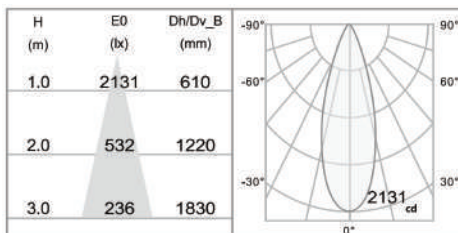
Remark *(All of Tolerances $\pm 10\%$)

Model	Rated Power (W)	CRI (Ra)	Efficacy (lm/W)	Beam Angle	Dimension $\varnothing \times H$ (mm)
TL/S/4013H	14	> 90	65	15°/24°/ 36°/60°	60 x 180
TL/S/4014H	20	> 80	95	15°/24°/ 36°/60°	70 x 200
TL/S/4015H	28	> 90	90	15°/24°/ 36°/60°	85 x 222
TL/S/4016H	35	> 90	85	15°/24°/ 36°/60°	95 x 240
TL/S/4017H	42	> 80	110	15°/24°/ 36°/60°	110 x 240

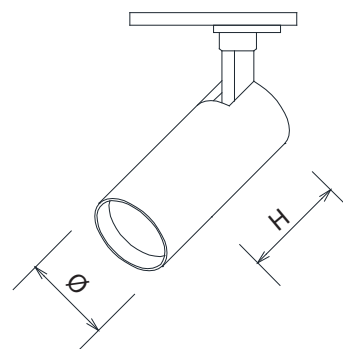
Light Distribution Curve



15°

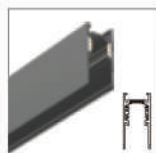


36°



Dimension Drawing (mm)

Track System



CX-MA

Accessories



Honey comb



Barn door



Anti-glare ring



Lens



Reflector



WINLIGHT

016



TRACK LIGHT

SPECIFICATION

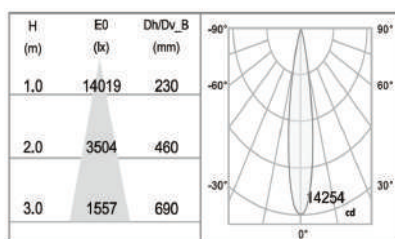
Series	TL/S/4033
Input Voltage	220-240V
Color Temperature	3000K , 4000K
Housing Materials	Aluminium
Color	White , Black , Grey
Protection Class	IP 20



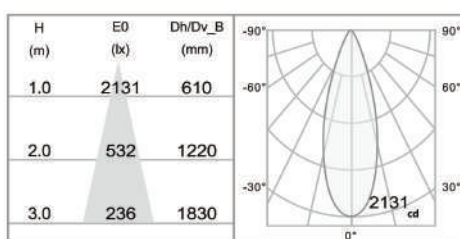
Remark *(All of Tolerances $\pm 10\%$)

Model	Rated Power (W)	CRI (Ra)	Efficacy (lm/W)	Beam Angle	Dimension $\varnothing \times H$ (mm)
TL/S/4033N	10	> 90	90	10°/15°/24°/ 36°/50°	58 x 130
TL/S/4034N	14	> 80	90	10°/15°/24°/ 36°/50°	66 x 145
TL/S/4035N	20	> 80	110	10°/15°/24°/ 36°/50°	73 x 155
TL/S/4036N	24	> 90	85	10°/15°/24°/ 36°/50°	80 x 185

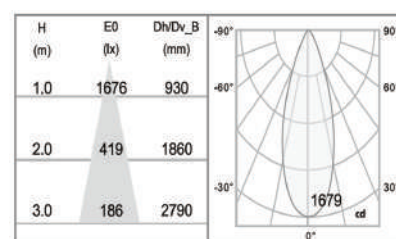
Light Distribution Curve



15°



36°



50°

Track System



CX-MA

Accessories



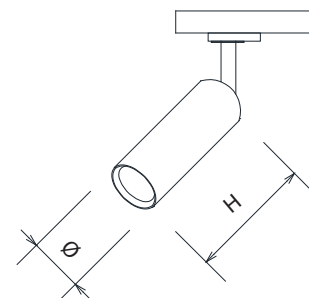
Honey comb



Barn door



Anti-glare ring



Dimension Drawing (mm)



TRACK LIGHT

SPECIFICATION

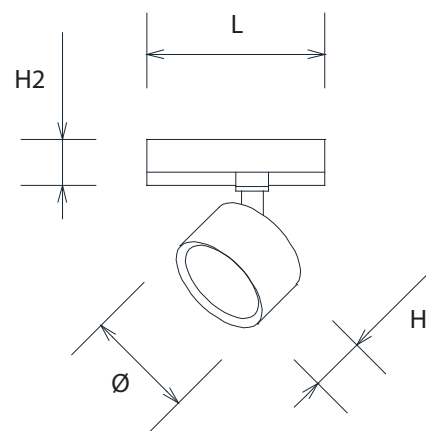
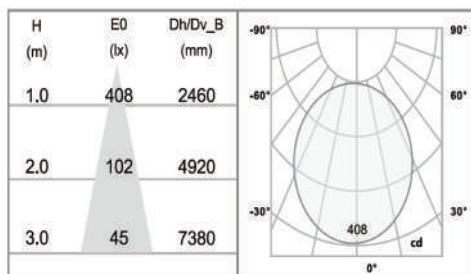
Series	TL/S/4221
Input Voltage	220-240V
Color Temperature	3000K , 4000K
CRI	> 90 Ra
Housing Materials	Aluminium
Color	White , Black , Grey
Protection Class	IP 20



Remark *(All of Tolerances $\pm 10\%$)

Model	Rated Power (W)	Efficacy (lm/W)	Beam Angle	Dimension $\text{\O} \times H \times H_2 \times L$ (mm)
TL/S/4221	12	55	Floodlight	80 x 45 x 42 x 162
TL/S/4222	15	55	Floodlight	90 x 50 x 42 x 162
TL/S/4223	20	60	Floodlight	100 x 50 x 42 x 162

Light Distribution Curve



Dimension Drawing (mm)

Track System



CX-MA



WINLIGHT

018

TRACK LIGHT

SPECIFICATION

Series	TL/S/4821
Input Voltage	220-240V
Color Temperature	3000K , 4000K
CRI	90 Ra
Housing Materials	Aluminium
Color	White , Black , Grey
Protection Class	IP 20



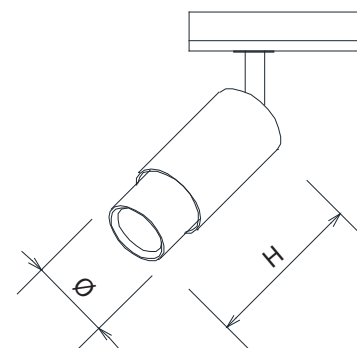
Remark *(All of Tolerances $\pm 10\%$)

Model	Rated Power (W)	Efficacy (lm/W)	Beam Angle	Dimension $\varnothing \times H$ (mm)
TL/S/4821	15	180-800	6°/60°	71 x 125-168
TL/S/4823	20	400-920	6°/60°	85 x 120-158
TL/S/4824	24	540-1200	6°/60°	90 x 135-175

Track System



CX-MA



Dimension Drawing (mm)



WINLIGHT

019

TRACK LIGHT

SPECIFICATION

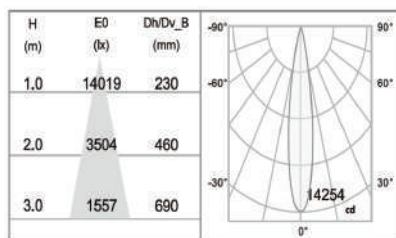
Series	TL/S/6030
Input Voltage	220-240V
Color Temperature	3000K , 4000K
CRI	> 80 Ra
Housing Materials	Aluminium
Color	White , Black , Grey
Protection Class	IP 20



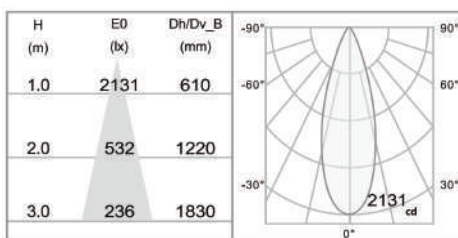
Remark *(All of Tolerances $\pm 10\%$)

Model	Rated Power (W)	Efficacy (lm/W)	Beam Angle	Dimension \O xHxH2xLxL2 (mm)
TL/S/6030	28	110	15°/30°/ 45°/55°	85 x 142 x 104 x 47 x 65
TL/S/6015	35	110	15°/30°/ 45°/55°	95 x 145 x 112 x 50 x 85
TL/S/6064H	43	105	15°/24°/ 36°/60°	106 x 123 x 150 x 102 x 51

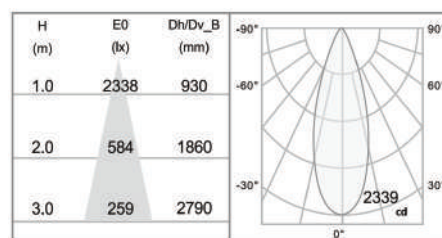
Light Distribution Curve



15°

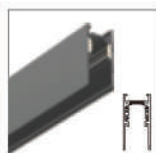


36°



45°

Track System



CX-MA

Accessories



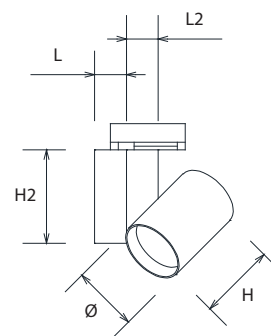
Honey comb



Barn door



Anti-glare ring



Dimension Drawing (mm)



TRACK LIGHT

SPECIFICATION

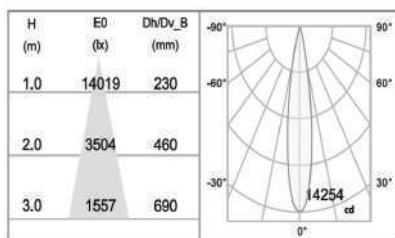
Series	TL/S/6086
Input Voltage	220-240V
Color Temperature	3000K , 4000K
CRI	> 80 Ra
Housing Materials	Aluminium
Color	White , Black , Grey
Protection Class	IP 20



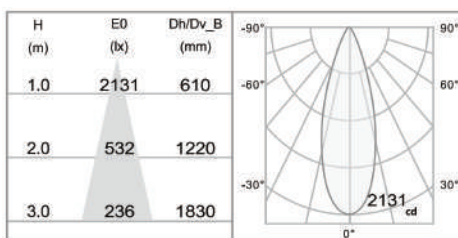
Remark *(All of Tolerances $\pm 10\%$)

Model	Rated Power (W)	Efficacy (lm/W)	Beam Angle	Dimension $\varnothing \times H \times H2 \times L$ (mm)
TL/S/6086H	28	105	15°/24°/ 36°/50°	58 x 104 x 42 x 198
TL/S/6087H	35	110	15°/24°/ 36°/50°	95 x 112 x 42 x 198
TL/S/6088H	43	110	15°/24°/ 36°/50°	106 x 123 x 42 x 198

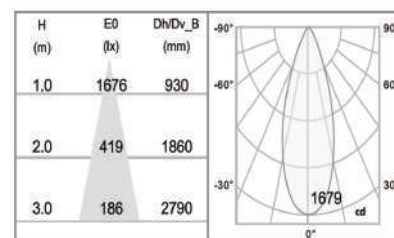
Light Distribution Curve



15°



36°



50°

Track System



CX-MA

Accessories



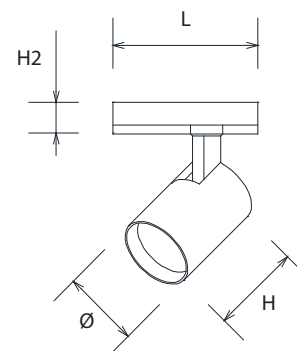
Honey comb



Barn door



Anti-glare ring



Dimension Drawing (mm)



021

TRACK LIGHT

SPECIFICATION

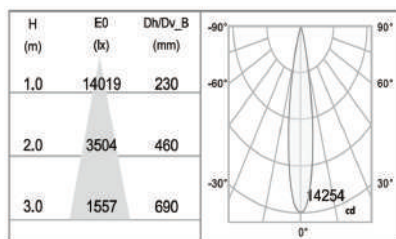
Series	TL/S/6551
Input Voltage	220-240V
Color Temperature	3000K , 4000K
CRI	> 90 Ra
Housing Materials	Aluminium
Color	White , Black , Grey
Protection Class	IP 20



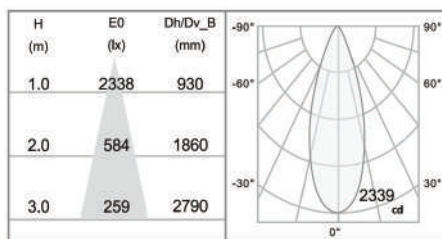
Remark *(All of Tolerances $\pm 10\%$)

Model	Rated Power (W)	Efficacy (lm/W)	Beam Angle	Dimension $\varnothing \times H$ (mm)
TL/S/6551	6	80	15°/45°	45 x 90-95
TL/S/6552	10	80	15°/60°	55 x 110-120
TL/S/6553	15	80	15°/50°	66 x 120-130

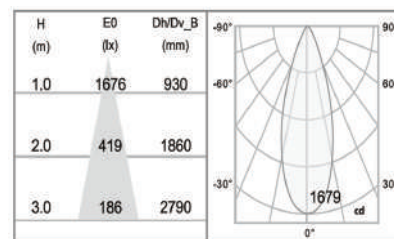
Light Distribution Curve



15°



45°

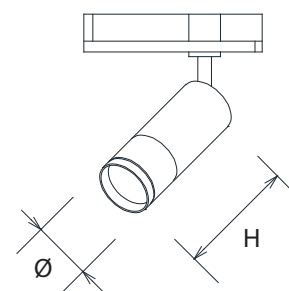


50°

Track System



CX-MA



Dimension Drawing (mm)



022

WALL WASHER

SPECIFICATION

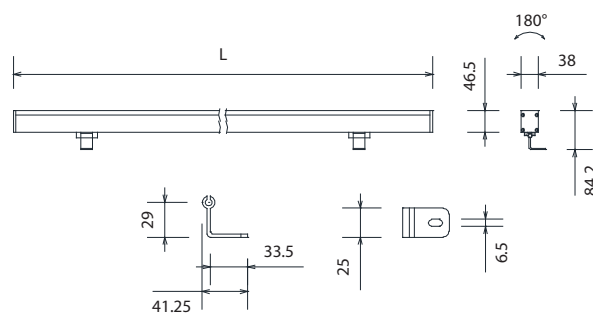
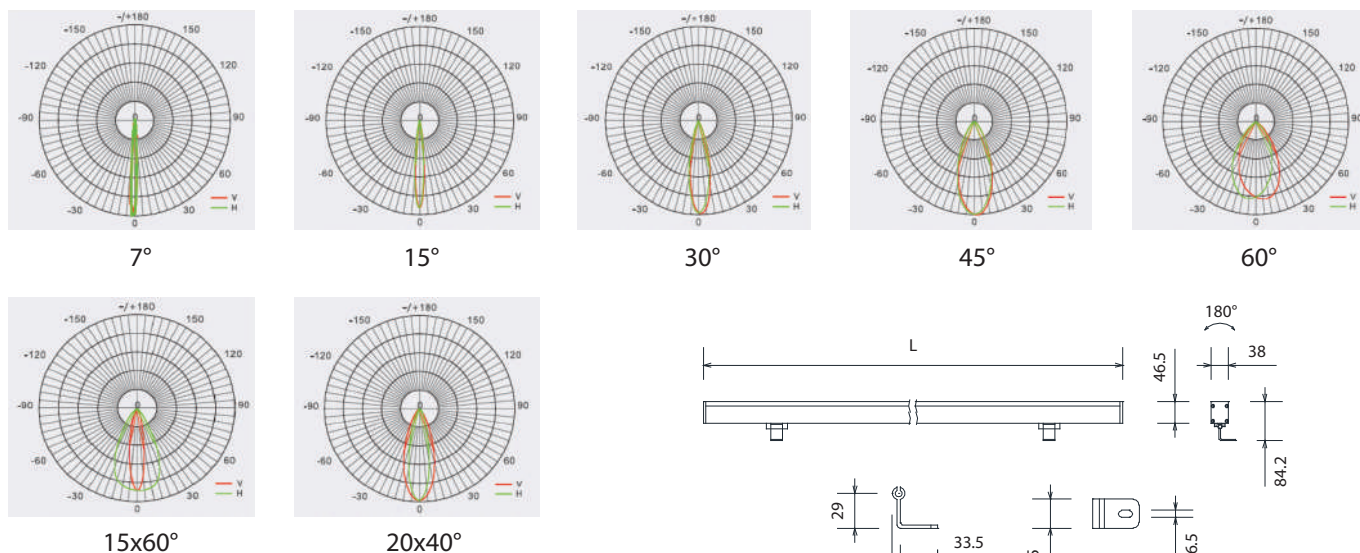
Series	PROPUS
Input Voltage	220Vac , 50Hz
Color Temperature	RGB
Beam Angle	7° , 15° , 30° , 45° , 60° , 15*60° , 20*40°
Housing Materials	Extrusion Aluminium with Tempered Glass Cover
Color	Silver
Operating Temperature	- 40°C to + 45°C
Protection Class	IP 66
Controls	DMX512



Remark *(All of Tolerances $\pm 10\%$)

Model	Rated Power (W)	Dimension L (mm)
MWW/12/3P	12	300
MWW/36/9P	36	600
MWW/48/12P	48	1200

Light Distribution Curve



Dimension Drawing (mm)



WALL WASHER

SPECIFICATION

Series	WW/37S/W
Input Voltage	220-240Vac 50Hz , DC24V
Power Factor	> 0.9
Color Temperature	2700K , 3000K , 4000K , 5700K , RGB
CRI	70 Ra , 80 Ra , 90 Ra
Beam Angle	8° , 15° , 30° , 45° , 60° , 15*60° , 20*40°
Driver	Inventronics , Meanwell , Done , Moso or equivalent
LED Chip	Osram , Lumileds or equivalent
Housing Materials	Die-Casting Aluminium with Tempered Glass Cover
Color	Silver
Operating Temperature	- 40°C to + 50°C
Protection Class	IP 66
Life Time	50000 Hrs
Surge Protection	4KV line-line 6KV line-earth
Controls	DMX512



Accessories (Option)



Anti-glare Baffle(Y)



T-shape bracket

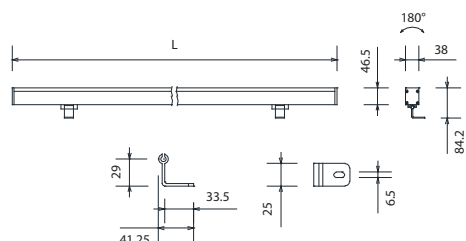
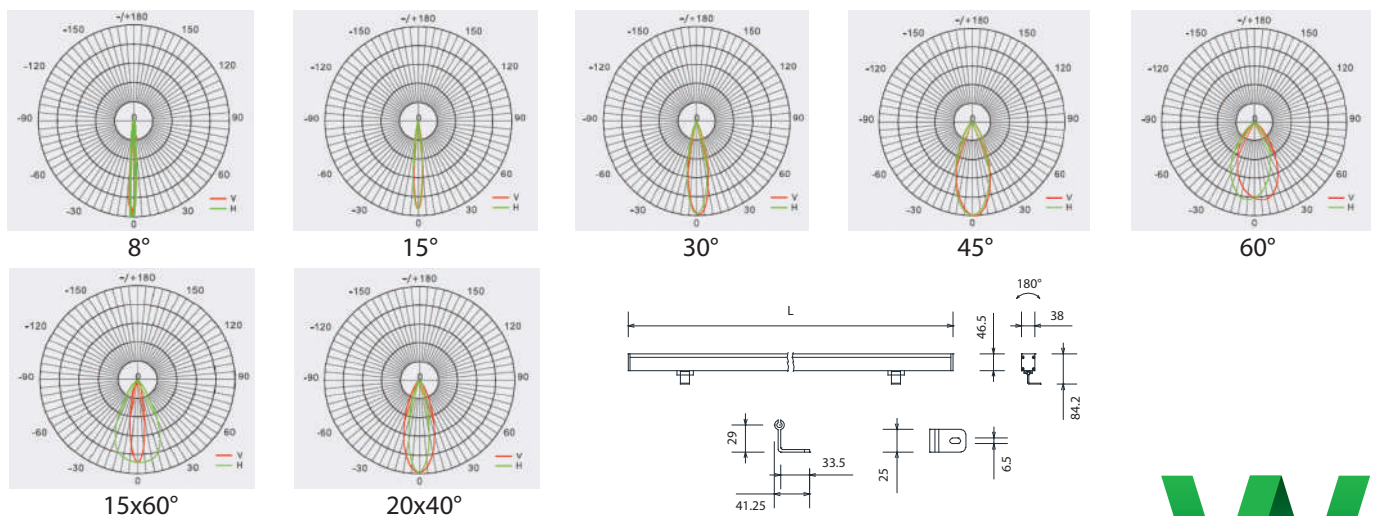


L-shape bracket

Remark *(All of Tolerances $\pm 10\%$)

Model	Rated Power (W)	Efficacy (lm/W)	Dimension WxLxH (mm)	Weight (kg)
WW/37S/W	36 48	80 (WW , CW , DW) 30 (RGB) 35 (RGBW)	38 x 1000 x 84	2.4

Light Distribution Curve



Dimension Drawing (mm)



WINLIGHT

024

STREET LIGHT

SPECIFICATION

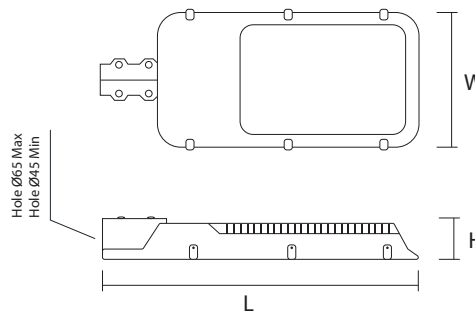
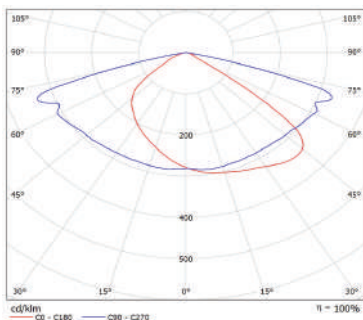
Series	VSL (1 ၂၅၅၅)
Input Voltage	100-277Vac , 50Hz
Power Factor	> 0.95
Harmonic (%THDi)	< 10%
Color Temperature	3000K , 4000K , 5700K
CRI	> 70 Ra (Option 80 Ra)
LED Chip	Lumileds 50000Hrs Life Time @L70 , IEC62471
Housing Materials	Die-Casting Aluminium with PC Lens UV Protect
Heatsink	Passive Cooling Heatsink
Operating Temperature	- 40°C to + 50°C
Protection Class	IP 66 / IEC60529/အစဉ်.513
IK Grade	IK 08 / IEC62262
Installation	Fixed Hole 45mm. - 65mm.



Remark *(All of Tolerances \pm 10%)

Model	Rated Power (W)	Efficacy (lm/W)	Luminous Flux (lm)	Dimension WxLxH (mm)	Weight (kg)
VSL/30	30	140	4200	211 x 494 x 41	3
VSL/50	50	140	7000	211 x 494 x 41	3
VSL/60	60	140	8400	211 x 494 x 41	3
VSL/70	70	140	9800	211 x 494 x 41	3
VSL/80	80	140	11200	211 x 494 x 41	3
VSL/100	100	140	14000	256 x 602 x 54	6
VSL/120	120	140	16800	256 x 602 x 54	6
VSL/140	140	140	19600	256 x 602 x 54	6
VSL/150	150	140	21000	256 x 602 x 54	6

Light Distribution Curve



Dimension Drawing (mm)



STREET LIGHT

SPECIFICATION

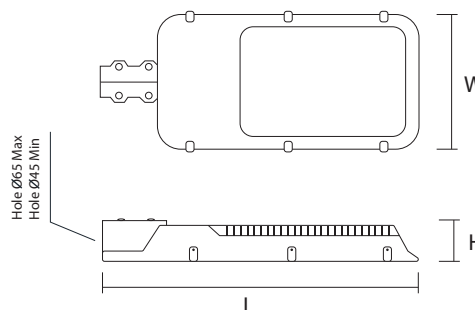
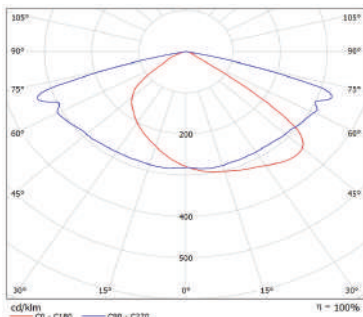
Series	VSL (2 ၁၅၅၅)
Input Voltage	100-277Vac , 50Hz
Power Factor	> 0.95
Harmonic (%THDi)	< 10%
Color Temperature	3000K , 4000K , 5700K
CRI	> 70 Ra (Option 80 Ra)
LED Chip	Lumileds 50000Hrs Life Time @L70 , IEC62471
Housing Materials	Die-Casting Aluminium with PC Lens UV Protect
Heatsink	Passive Cooling Heatsink
Operating Temperature	- 40°C to + 50°C
Protection Class	IP 66 / IEC60529/အစဉ်.513
IK Grade	IK 08 / IEC62262
Installation	Fixed Hole 45mm. - 65mm.



Remark *(All of Tolerances \pm 10%)

Model	Rated Power (W)	Efficacy (lm/W)	Luminous Flux (lm)	Dimension WxLxH (mm)	Weight (kg)
VSL/60	60	140	8400	211 x 494 x 41	3
VSL/70	70	140	9800	211 x 494 x 41	3
VSL/80	80	140	11200	211 x 494 x 41	3
VSL/100	100	140	14000	256 x 602 x 54	6
VSL/120	120	140	16800	256 x 602 x 54	6
VSL/140	140	140	19600	256 x 602 x 54	6
VSL/150	150	140	21000	256 x 602 x 54	6

Light Distribution Curve



Dimension Drawing (mm)



STREET LIGHT

SPECIFICATION

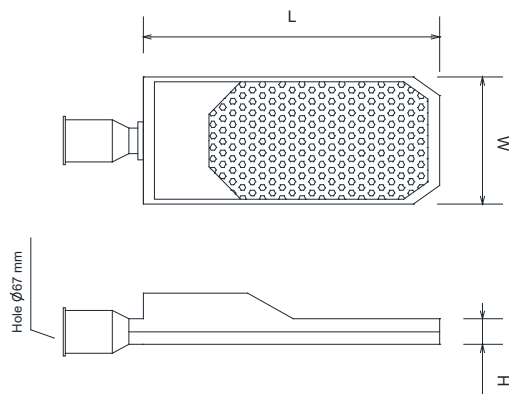
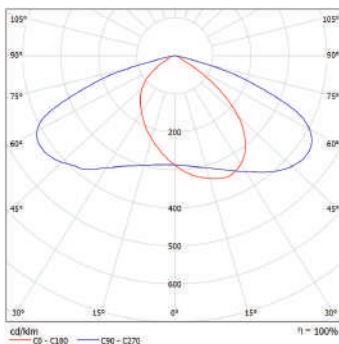
Series	POLARIS V2
Input Voltage	220-240Vac , 50Hz
Power Factor	> 0.9
Harmonic (%THDi)	< 15%
Color Temperature	5700K
CRI	> 80 Ra
Driver	High Efficiency LED Driver
LED Chip	Lumileds
Housing Materials	Die-Casting Aluminium with PC Lens
Operating Temperature	- 25°C to + 50°C
Protection Class	IP 65
Installation	Adjustable Hole 60mm.
Surge Protection	4kV



Remark *(All of Tolerances $\pm 10\%$)

Model	Rated Power (W)	Efficacy (lm/W)	Luminous Flux (lm)	Dimension WxLxH (mm)	Weight (kg)
STS/L425/30 V2	30	140	4200	425 x 108 x 96	1
STS/L425/50 V2	50	140	7000	425 x 108 x 96	1.2
STS/L425/100 V2	100	140	14000	566 x 177 x 96	1.9
STS/L425/150 V2	150	140	21000	650 x 210 x 96	2.7
STS/L425/200 V2	200	140	28000	719 x 244 x 96	3.2

Light Distribution Curve



Dimension Drawing (mm)



FLOOD LIGHT

SPECIFICATION

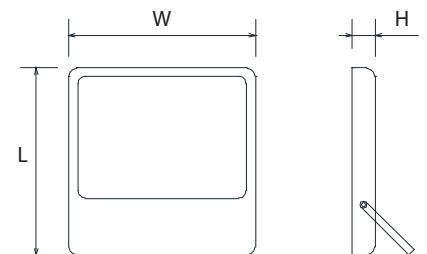
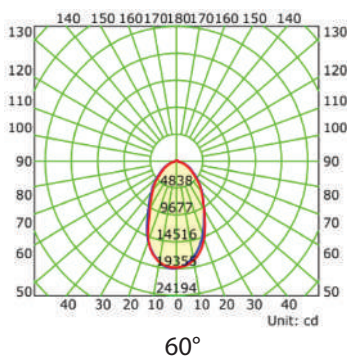
Series	MINTA V1
Input Voltage	220-240Vac , 50Hz
Power Factor	> 0.9
Harmonic (%THDi)	< 15%
Color Temperature	5700K
CRI	> 80 Ra
Beam Angle	60°
Driver	Isolated
LED Chip	SMD #3030
Housing Materials	Die-Casting Aluminium
Color	Black
Operating Temperature	- 30°C to + 40°C
Protection Class	IP 65
Installation	Standard Bracket
Surge Protection	4KV



Remark *(All of Tolerances $\pm 10\%$)

Model	Rated Power (W)	Efficacy (lm/W)	Luminous Flux (lm)	Dimension WxLxH (mm)
MFL/L158/50 V1	50	100	5000	258 x 183 x 50
MFL/L320/100 V1	100	100	10000	320 x 235 x 55
MFL/L390/150 V1	150	100	15000	390 x 290 x 62
MFL/L390/200 V1	200	100	20000	390 x 290 x 62
MFL/L390/250 V1	250	100	25000	390 x 290 x 62
MFL/L565/300 V1	300	100	30000	565 x 245 x 75
MFL/L445/400 V1	400	100	40000	445 x 445 x 55

Light Distribution Curve



Dimension Drawing (mm)



FLOOD LIGHT

SPECIFICATION

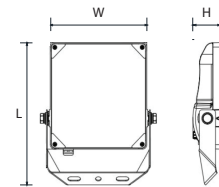
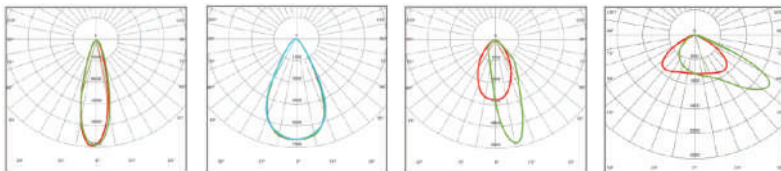
Series	CASTER
Input Voltage	220-240Vac , 50Hz
Power Factor	> 0.9
Harmonic (%THDi)	< 15%
Color Temperature	3000K , 4000K , 5000K
CRI	70 Ra (Option 80 Ra)
Beam Angle	30° , 60° , Asymmetrical
Driver	DONE : 50W SOSEN : 100W , 150W , 200W , 400W , 500W INVENTRONICS : 300W
LED Chip	SMD #2835
Housing Materials	Aluminium Alloy , Tempered Glass and Polycarbonate Optical Cover
Color	Black
Operating Temperature	- 30°C to + 50°C
Protection Class / IK Grade	IP 66 / IK 08
Installation	Standard Bracket
Surge Protection	6KV line-earth (50W) 10KV line-earth (100W , 150W , 200W) 12KV line-earth (300W) 20KV line-earth (400W , 500W)



Remark *(All of Tolerances \pm 10%)

Model	Rated Power (W)	Efficacy (lm/W)	Luminous Flux (lm)	Dimension WxLxH (mm)	Weight (kg)
FLC/1550	50	150	7500	267 x 228 x 55	1.8
FLC/15100	100	150	15000	314 x 269 x 61	2.8
FLC/15150	150	150	22500	360 x 302 x 67	3.9
FLC/15200	200	150	30000	398 x 343 x 70	5.3
FLC/15300	300	150	45000	470 x 406 x 80	8.1
FLC/15400	400	155	62000	624 x 407 x 89	11.5
FLC/15500	500	155	77500	624 x 407 x 89	12.5

Light Distribution Curve



Dimension Drawing (mm)



FLOOD LIGHT

SPECIFICATION

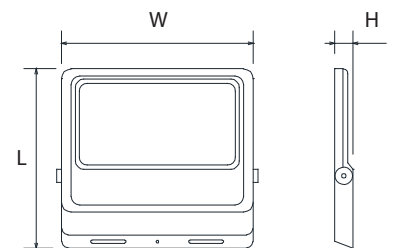
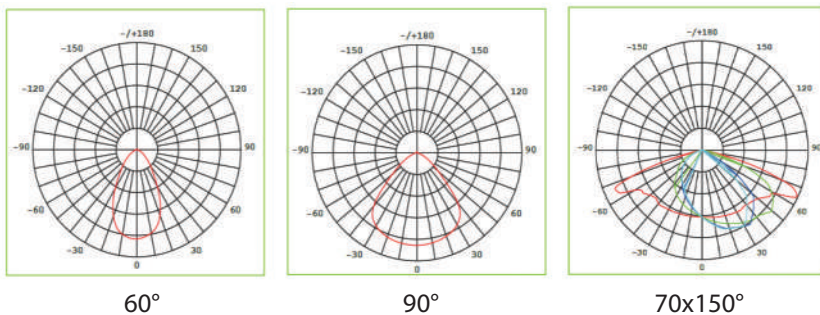
Series	ZETA V2
Input Voltage	220-240Vac , 50Hz
Power Factor	> 0.9
Color Temperature	3000K , 4000K , 5700K
CRI	> 70 Ra (Option 80 Ra)
Beam Angle	30° , 60° , 90° , 70*150° , 135*60°
Driver	SOSEN
LED Chip	Lumileds 2835
Housing Materials	Die-Casting Aluminium with PC Lens and Tempered Glass Cover
Color	Black
Operating Temperature	- 30°C to + 40°C
Protection Class / IK Grade	IP 66 / IK 08
Installation	Standard Bracket
Surge Protection	6KV



Remark *(All of Tolerances $\pm 10\%$)

Model	Rated Power (W)	Efficacy (lm/W)	Luminous Flux (lm)	Dimension WxLxH (mm)
FL/L386/200W 3CCT V2	120 / 160 / 200 (Selectable)	150	18000 / 24000 / 30000	386 x 414 x 51
FL/L354/50 V2	50	150	7500	254 x 239 x 38
FL/L320/100 V2	100	150	15000	320 x 314 x 49
FL/L358/150 V2	150	150	22500	358 x 364 x 49
FL/L386/200 V2	200	150	30000	386 x 414 x 51
FL/L460/250 V2	250	150	37500	460 x 480 x 54
FL/L460/300 V2	300	150	45000	460 x 480 x 54
FL/L550/400 V2	400	150	60000	550 x 589 x 56
FL/L550/500 V2	500	150	75000	550 x 589 x 56

Light Distribution Curve



Dimension Drawing (mm)



FLOOD LIGHT

SPECIFICATION

Series	REGULUS V2
Input Voltage	220-240Vac , 50Hz
Power Factor	> 0.9
Color Temperature	3000K , 4000K , 5700K
CRI	> 70 Ra (Option 80 Ra)
Beam Angle	15° , 30° , 45° , 60° , 90° , 120°
Fixed CCT and Power	110*20° , 110*40° , 135*60°
Selectable CCT and Power	60° , 90° , 120°
Driver	High Efficiency LED Driver
LED Chip	SMD #3030
Housing Materials	Die-Casting Aluminium with PC Lens and Tempered Glass Cover
Color	Black
Operating Temperature	- 30°C to + 40°C
Protection Class / IK Grade	IP 66 / IK 07
Installation	Standard Bracket
Surge Protection	6KV
Standard	EN 55015:2019/A11:2020, EN 61000-3-2:2019 EN 61000-3-3:2013, EN 61547:2009, EN 62493:2015



Fixed CCT and Power

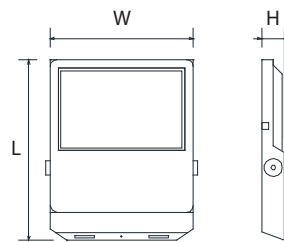
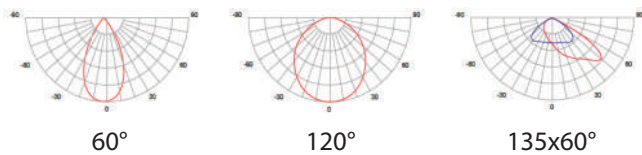


Selectable CCT and Power

Remark *(All of Tolerances \pm 10%)

Model	Rated Power (W)	Efficacy (lm/W)	Luminous Flux (lm)	Dimension WxLxH (mm)
FL/L468/200W 3CCT V2	120 / 160 / 200 (Selectable)	150	18000 / 24000 / 30000	363 x 468 x 58
FL/L268/50 V2	50	150	7500	230 x 268 x 47
FL/L328/100 V2	100	150	15000	361 x 328 x 55
FL/L406/150 V2	150	150	22500	361 x 406 x 57
FL/L468/200 V2	200	150	30000	363 x 468 x 58
FL/L542/300 V2	300	150	45000	423 x 542 x 71
FL/L542/400 V2	400	150	60000	423 x 542 x 71
FL/L656/500 V2	500	150	75000	521 x 656 x 83
FL/L656/600 V2	600	150	90000	521 x 656 x 83

Light Distribution Curve



Dimension Drawing (mm)



FLOOD LIGHT

SPECIFICATION

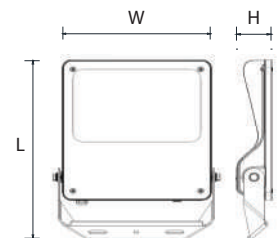
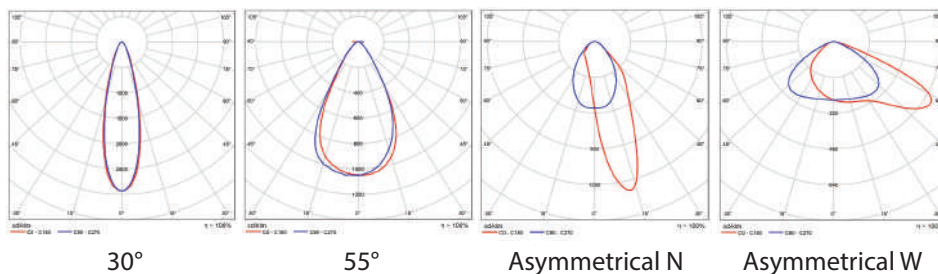
Series	VEGA V3
Input Voltage	220-240Vac , 50Hz
Power Factor	> 0.9
Harmonic (%THDi)	< 15%
Color Temperature	3000K , 4000K , 5700K
CRI	70 Ra (Option 80 Ra)
Beam Angle	30° , 45° , 55° , Asymmetrical
Driver	DOB , LiFud
LED Chip	SMD #2835
Housing Materials	Die-Casting Aluminium with PC Lens and Tempered Glass Cover
Color	Black
Operating Temperature	- 30°C to + 45°C
Protection Class / IK Grade	IP 66 / IK 08
Installation	Standard Bracket
Surge Protection	4KV line-line , 6KV line-earth (50W-150W) 6KV line-line , 6KV line-earth (200W-300W) Option 10KV line-earth



Remark *(All of Tolerances $\pm 10\%$)

Model	Rated Power (W)	Efficacy (lm/W)	Luminous Flux (lm)	Dimension WxLxH (mm)	Weight (kg)
MFL/L292/50 V3	50	150	7500	245 x 292 x 55	1.9
MFL/L353/100 V3	100	150	15000	287 x 353 x 65	2.8
MFL/L392/150 V3	150	150	22500	319 x 392 x 70	3.9
MFL/L447/200 V3	200	150	30000	359 x 447 x 75	5.2
MFL/L495/240 V3	240	150	36000	419 x 495 x 75	6.3
MFL/L495/300 V3	300	150	45000	419 x 495 x 75	6.4

Light Distribution Curve



Dimension Drawing (mm)



FLOOD LIGHT

SPECIFICATION

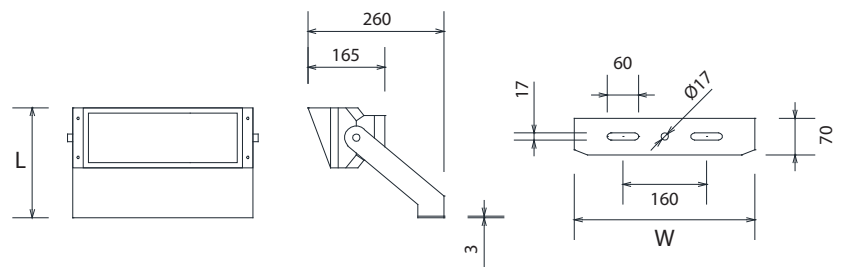
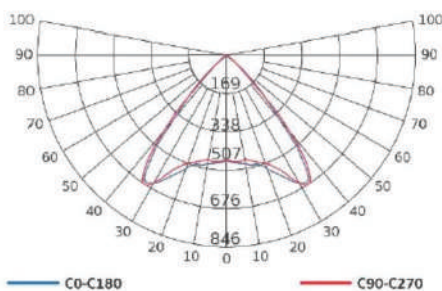
Series	MHA
Input Voltage	230Vac
Power Factor	> 0.95
Harmonic (%THDi)	< 10%
Color Temperature	5700K
CRI	> 70 Ra (Option 80 Ra)
Beam Angle	90° (Option 15°, 20°, 40°, 60°)
LED Chip	Lumileds #46pcs/Module , 5W/pcs 50000Hrs Life Time @L70 , IEC62471
Driver	DONE or equivalent
Housing Materials	Die-Casting Aluminium with PC Lens UV Protect
Heatsink	Passive Cooling Heatsink
Operating Temperature	- 40°C to + 50°C
Protection Class	IP 66 / IEC60529
Installation	Standard Bracket
Surge Protection	10KV L/N-PE



Remark *(All of Tolerances ± 10%)

Model	Rated Power (W)	Efficacy (lm/W)	Luminous Flux (lm)	Module (Qty)	Dimension WxL (mm)	Weight (kg)
MHA/100	100	140	14000	1	345 x 215	3.8
MHA/150	150	140	21000	1	345 x 215	4.0

Light Distribution Curve



Dimension Drawing (mm)



FLOOD LIGHT

SPECIFICATION

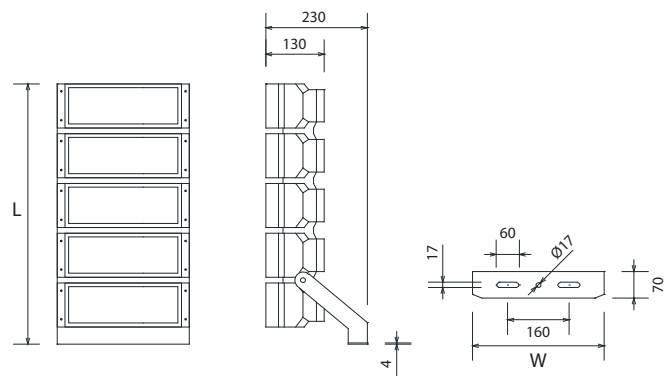
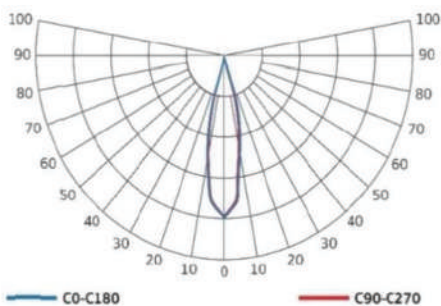
Series	MHA V2
Input Voltage	100-277Vac
Power Factor	> 0.95
Harmonic (%THDi)	< 10%
Color Temperature	3000K , 4000K , 5700K
CRI	> 70 Ra (Option 80 Ra)
Beam Angle	15° (Option 20° , 40° , 60° , 90°)
LED Chip	Lumileds #46pcs/Module , 5W/pcs 50000Hrs Life Time @L70 , IEC62471
Housing Materials	Die-Casting Aluminium with PC Lens UV Protect
Heatsink	Passive Cooling Heatsink
Standard	IEC60598-2-3
Operating Temperature	- 40°C to + 50°C
Protection Class	IP 66 / IEC60529
Installation	Standard Bracket



Remark *(All of Tolerances ± 10%)

Model	Rated Power (W)	Efficacy (lm/W)	Luminous Flux (lm)	Module (Qty)	Dimension WxL (mm)	Weight (kg)
MHA/150 V2	150	140	21000	1	345 x 215	3.2
MHA/300 V2	300	140	42000	2	345 x 350	6.4
MHA/450 V2	450	140	63000	3	345 x 480	9.6
MHA/600 V2	600	140	84000	4	345 x 545	12.8
MHA/800 V2	800	140	112000	5	345 x 680	16.0

Light Distribution Curve



Dimension Drawing (mm)



FLOOD LIGHT

SPECIFICATION

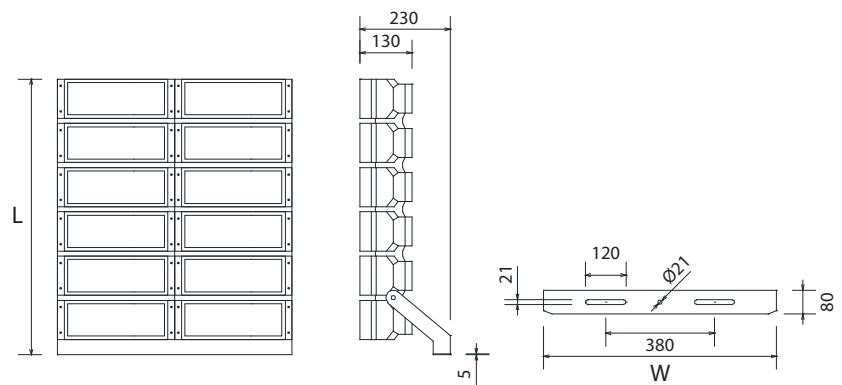
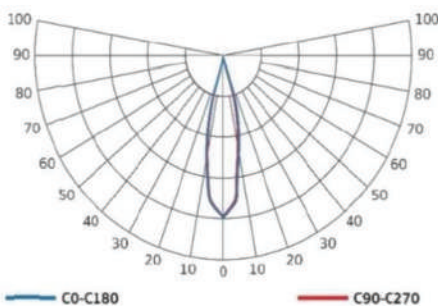
Series	MHA/TWIN V2
Input Voltage	100-277Vac
Power Factor	> 0.95
Harmonic (%THDi)	< 10%
Color Temperature	3000K , 4000K , 5700K
CRI	> 70 Ra (Option 80 Ra)
Beam Angle	15° (Option 20° , 40° , 60° , 90°)
LED Chip	Lumileds #46pcs/Module , 5W/pcs 50000Hrs Life Time @L70 , IEC62471
Housing Materials	Die-Casting Aluminium with PC Lens UV Protect
Heatsink	Passive Cooling Heatsink
Standard	IEC60598-2-3
Operating Temperature	- 40°C to + 50°C
Protection Class	IP 66 / IEC60529
Installation	Standard Bracket



Remark *(All of Tolerances ± 10%)

Model	Rated Power (W)	Efficacy (lm/W)	Luminous Flux (lm)	Module (Qty)	Dimension WxL (mm)	Weight (kg)
MHA/900/TWIN	900	140	126000	6	685 x 415	21
MHA/1200/TWIN	1200	140	168000	8	685 x 545	28
MHA/1500/TWIN	1500	140	210000	10	685 x 680	36
MHA/1800/TWIN	1800	140	252000	12	685 x 810	44

Light Distribution Curve



Dimension Drawing (mm)



FLOOD LIGHT

SPECIFICATION

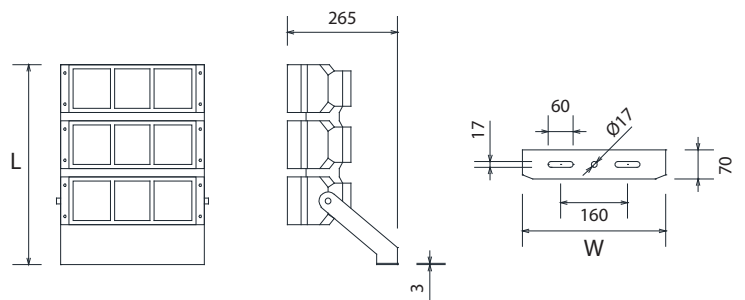
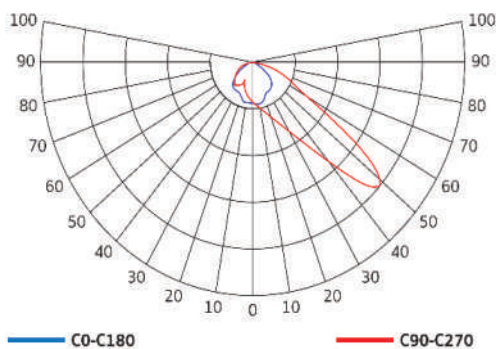
Series	MHA/TENNIS/L
Input Voltage	100-277Vac
Power Factor	> 0.95
Harmonic (%THDi)	< 10%
Color Temperature	5700K
CRI	> 70 Ra
Beam Angle	50° Asymmetrical (Option 40°, 60°, 90°)
LED Chip	Lumileds, >50000Hrs Life Time @L70
Housing Materials	Die-Casting Aluminium with PC Lens UV Protect
Heatsink	Passive Cooling Heatsink
Standard	IEC60598-2-3
Operating Temperature	- 40°C to + 50°C
Protection Class	IP 66 / IEC60529
Installation	Standard Bracket



Remark *(All of Tolerances ± 10%)

Model	Rated Power (W)	Efficacy (lm/W)	Luminous Flux (lm)	Module (Qty)	Dimension WxL (mm)	Weight (kg)
MHA/150/TENNIS/L	150	140	21000	1	345 x 215	3.8
MHA/300/TENNIS/L	300	140	42000	2	345 x 350	6.4
MHA/450/TENNIS/L	450	140	63000	3	345 x 480	9.0

Light Distribution Curve



Dimension Drawing (mm)



FLOOD LIGHT

SPECIFICATION

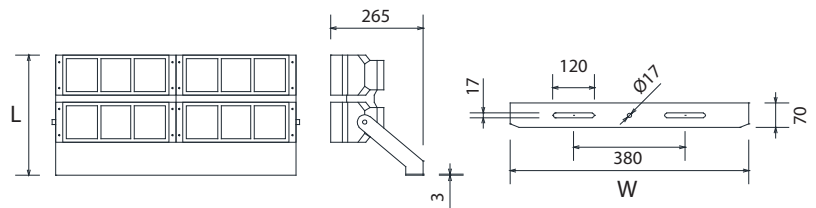
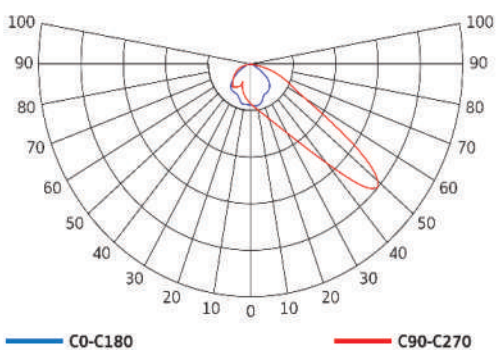
Series	MHA/600/TWIN/TENNIS/L
Input Voltage	100-277Vac
Power Factor	> 0.95
Harmonic (%THDi)	< 10%
Color Temperature	5700K
CRI	> 70 Ra
Beam Angle	50° Asymmetrical (Option 40°, 60°, 90°)
LED Chip	Lumileds , >50000Hrs Life Time @L70
Housing Materials	Die-Casting Aluminium with PC Lens UV Protect
Heatsink	Passive Cooling Heatsink
Standard	IEC60598-2-3
Operating Temperature	- 40°C to + 50°C
Protection Class	IP 66 / IEC60529
Installation	Standard Bracket



Remark *(All of Tolerances ± 10%)

Model	Rated Power (W)	Efficacy (lm/W)	Luminous Flux (lm)	Module (Qty)	Dimension WxL (mm)	Weight (kg)
MHA/600/TWIN/TENNIS/L	600	140	84000	1	685 x 350	13.6

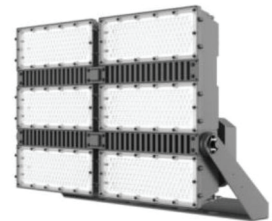
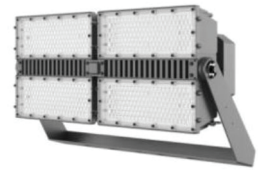
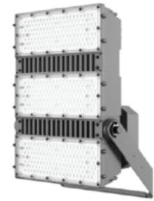
Light Distribution Curve



Dimension Drawing (mm)



FLOOD LIGHT



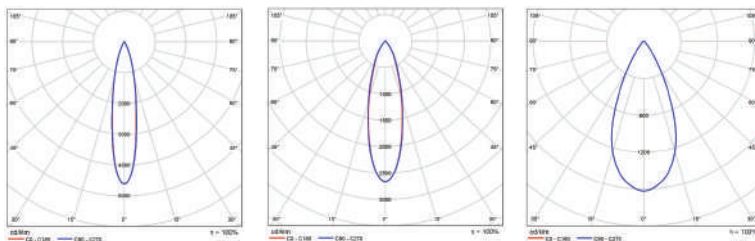
SPECIFICATION

Series	MSPORTS V2
Input Voltage	220-240Vac , 50/60Hz
Power Factor	> 0.9
Harmonic (%THDi)	< 15%
Color Temperature	3000K , 4000K , 5700K
CRI	> 70 Ra (Option : 80 Ra , 90 Ra)
Beam Angle	20° , 30° , 45° , 60° , Asymmetrical
Driver	Upshine / Sosen
LED Chip	SMD #5050
Housing Materials	Die-Casting Aluminium with PC Lens Cover
Color	Gray
Operating Temperature	- 30°C to + 40°C
Protection Class / IK Grade	IP 66 / IK 08
Installation	Standard Bracket
Surge Protection	6KV line-line / 10KV line-earth

Remark *(All of Tolerances ± 10%)

Model	Rated Power (W)	Efficacy (lm/W)	Luminous Flux (lm)	Module (Qty)	Dimension WxLxH (mm)	Weight (kg)
MSPORTS-400 V2	400	145	58000	2	365 x 336 x 331	7.5
MSPORTS-600 V2	600	145	87000	3	365 x 500 x 311	10.3
MSPORTS-800 V2	800	145	116000	4	698 x 349 x 314	18
MSPORTS-1200 V2	1200	145	174000	6	698 x 513 x 314	22

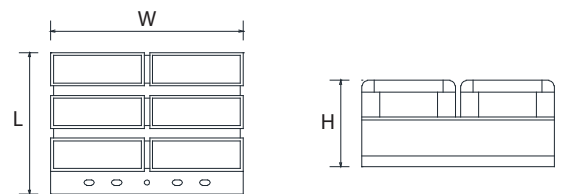
Light Distribution Curve



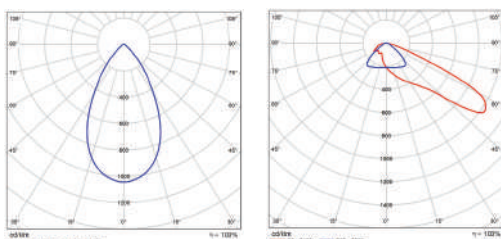
20°

30°

45°



Dimension Drawing (mm)



60°

Asymmetrical



WINLIGHT

038

FLOOD LIGHT

SPECIFICATION

Series	MSPORTS V3
Input Voltage	220-240Vac , 50/60Hz
Power Factor	> 0.9
Harmonic (%THDi)	< 15%
Efficacy	140 lm/W , 150 lm/W
Color Temperature	3000K , 4000K , 5700K
CRI	> 70 Ra (Option : 80 Ra , 90 Ra)
Beam Angle	Asymmetrical and Narrow Beam (SMD3737) 30° , 45° , 60° , Asymmetrical (SMD5050)
Driver	Done / Inventronics / Upshine
LED Chip	SMD #3737 (140 lm/W) , SMD #5050 (150 lm/W)
Housing Materials	Die-Casting Aluminium with PC Lens and Tempered glass Cover
Color	Black
Operating Temperature	- 30°C to + 40°C
Protection Class / IK Grade	IP 66 / IK 08
Installation	Standard Bracket
Surge Protection	20KV line-earth

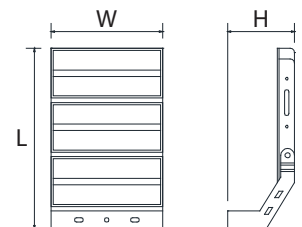
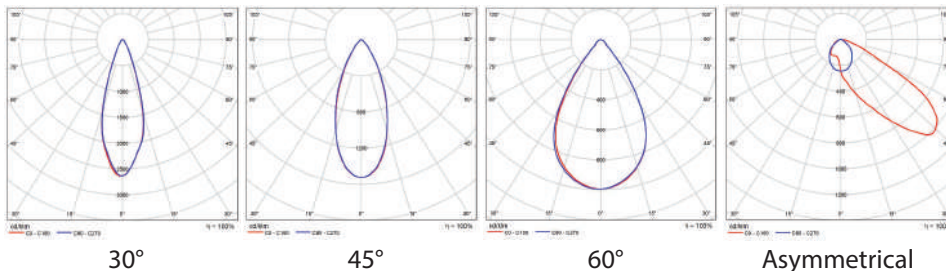


Driver Box for
1600W & 1800W only

Remark *(All of Tolerances $\pm 10\%$)

Model	Rated Power (W)	Luminous Flux (lm) SMD3737	Luminous Flux (lm) SMD5050	Module (Qty)	Dimension WxLxH (mm)	Weight (kg)
MSPORTS-400 V3	400	56000	60000	1	479 x 250 x 185	10.6
MSPORTS-500 V3	500	70000	75000	1	479 x 266 x 185	11.1
MSPORTS-600 V3	600	84000	90000	1	479 x 1283 x 85	12.5
MSPORTS-800 V3	800	112000	120000	2	510 x 429 x 232	22.2
MSPORTS-1000 V3	1000	140000	150000	2	510 x 527 x 298	26.4
MSPORTS-1200 V3	1200	168000	180000	2	510 x 560 x 298	29.0
MSPORTS-1600 V3	1600	224000	240000	3	515 x 777 x 310	35.1
MSPORTS-1800 V3	1800	252000	270000	3	515 x 833 x 310	38.4

Light Distribution Curve



Dimension Drawing (mm)



SPOT LIGHT

SPECIFICATION

Series	MFLR/24
Input Voltage	220-240Vac , 50Hz
Power Factor	> 0.9
Color Temperature	2700K , 5000K
CRI	80 Ra
Beam Angle	8° , 15° , 30°
Driver	Inventronics (EUC-026S) Output 36V Position : External Box
LED Chip	Osram Osconiq P3737 (Option : Oslon SSL)
Housing Materials	Die-Casting Aluminium with Tempered Glass Cover
Color	Black
Operating Temperature	- 40°C to + 50°C
Protection Class	IP 66
Life Time	>50000 Hrs (>42000 Hrs for 8° CCT2700K)
Surge Protection	4KV line-line 6KV line-earth



Accessories (Option)

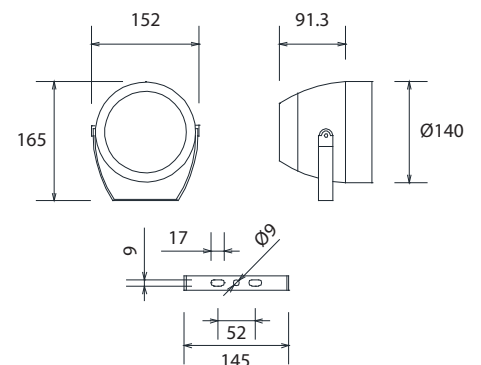
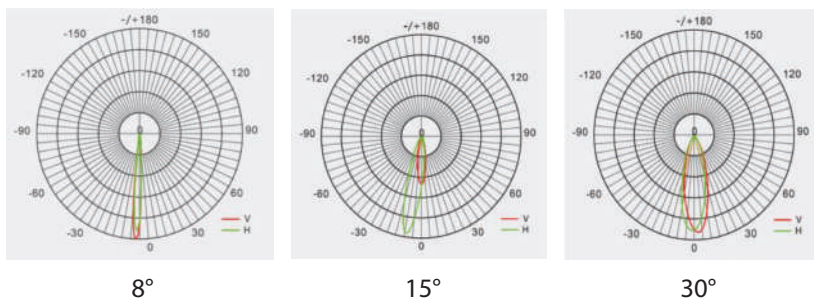


Honeycomb screen Cylindrical screen

Remark *(All of Tolerances $\pm 10\%$)

Model	Rated Power (W)	Efficacy (lm/W)	Luminous Flux (lm)	Dimension WxLxH (mm)	Weight (kg)
MFLR/24	24	59 (2700K) 66 (5000K)	1430 (2700K) 1600 (5000K)	140 x 152 x 128.3	1.6

Light Distribution Curve



Dimension Drawing (mm)



SPOT LIGHT

SPECIFICATION

Series	MFLR/48
Input Voltage	220-240Vac , 50Hz
Power Factor	> 0.9
Color Temperature	2700K , 5000K
CRI	80 Ra
Beam Angle	8° , 15° , 30°
Driver	Inventronics (EUC-060S) Output 54V Position : Internal
LED Chip	Osram Osconiq P3737 (Option : Oslon SSL)
Housing Materials	Die-Casting Aluminium with Tempered Glass Cover
Color	Black
Operating Temperature	- 40°C to + 50°C
Protection Class	IP 66
Life Time	>50000 Hrs (>42000 Hrs for 8° CCT2700K)
Surge Protection	4KV line-line 6KV line-earth



Accessories (Option)

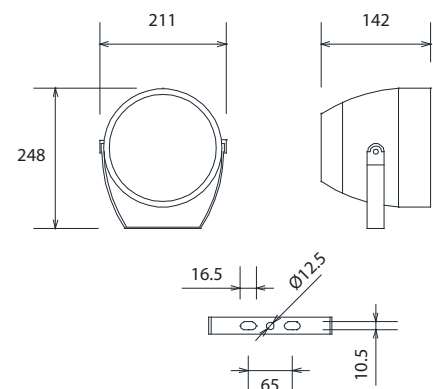
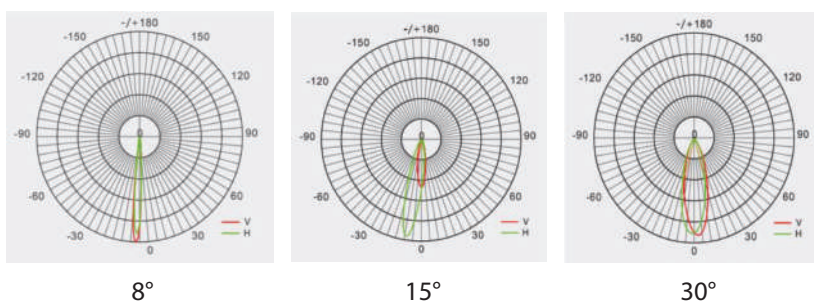


Honeycomb screen Cylindrical screen

Remark *(All of Tolerances $\pm 10\%$)

Model	Rated Power (W)	Efficacy (lm/W)	Luminous Flux (lm)	Dimension WxLxH (mm)	Weight (kg)
MFLR/48	48	66 (2700K) 74 (5000K)	3120 (2700K) 3588 (5000K)	142 x 211 x 248	3.9

Light Distribution Curve



Dimension Drawing (mm)



SPOT LIGHT

SPECIFICATION

Series	MFLR/60
Input Voltage	220-240Vac , 50Hz
Power Factor	> 0.9
Color Temperature	2700K , 5000K
CRI	80 Ra
Beam Angle	8° , 15° , 30° , 45°
Driver	Inventronics (EUC-075) Output 45V Position : Internal
LED Chip	Osram Osconiq P3737 (Option : Oslon SSL)
Housing Materials	Die-Casting Aluminium with Tempered Glass Cover
Color	Black
Operating Temperature	- 40°C to + 50°C
Protection Class	IP 66
Life Time	>50000 Hrs (>42000 Hrs for 8° CCT2700K)
Surge Protection	6KV line-line 10KV line-earth



Accessories (Option)

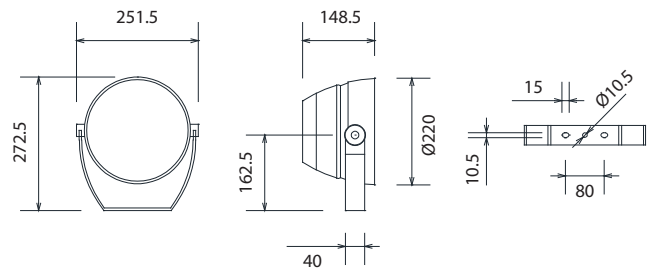
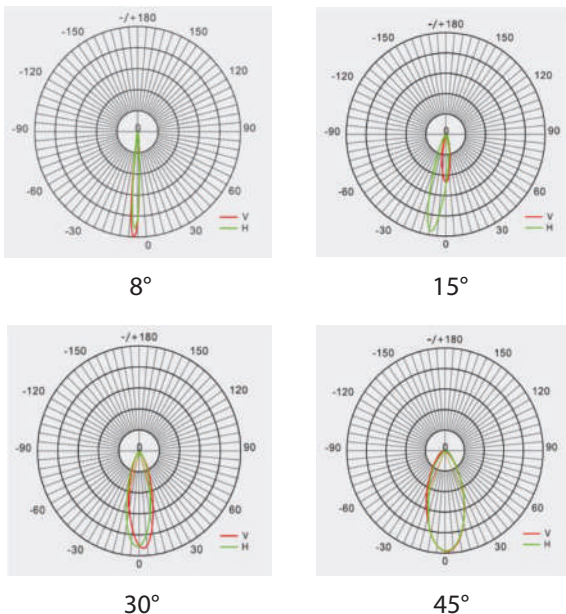


Honeycomb screen Cylindrical screen

Remark *(All of Tolerances $\pm 10\%$)

Model	Rated Power (W)	Efficacy (lm/W)	Luminous Flux (lm)	Dimension WxLxH (mm)	Weight (kg)
MFLR/60	60	75 (2700K) 77 (5000K)	4500 (2700K) 4675 (5000K)	148.5 x 251.5 x 272.5	5.5

Light Distribution Curve



Dimension Drawing (mm)



SPOT LIGHT

SPECIFICATION

Series	MFLR/100
Input Voltage	220-240Vac , 50Hz
Power Factor	> 0.9
Color Temperature	2700K , 5000K
CRI	80 Ra
Beam Angle	8° , 15° , 30° , 45°
Driver	Inventronics (EUM-100S) Output 72V Position : Internal
LED Chip	Osram Osconiq P3737 (Option : Oslon SSL)
Housing Materials	Die-Casting Aluminium with Tempered Glass Cover
Color	Black
Operating Temperature	- 40°C to + 50°C
Protection Class	IP 66
Life Time	50000 Hrs
Surge Protection	6KV line-line 10KV line-earth



Accessories (Option)

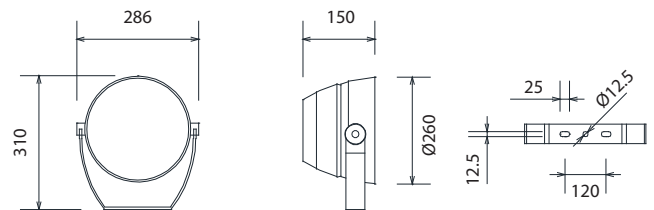
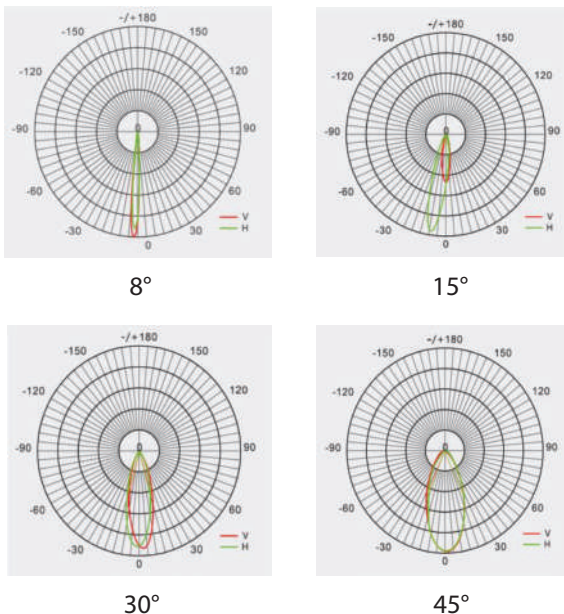


Honeycomb screen Cylindrical screen

Remark *(All of Tolerances $\pm 10\%$)

Model	Rated Power (W)	Efficacy (lm/W)	Luminous Flux (lm)	Dimension WxLxH (mm)	Weight (kg)
MFLR/100	100	75 (2700K) 78 (5000K)	7500 (2700K) 7800 (5000K)	150 x 286 x 310	5.8

Light Distribution Curve



Dimension Drawing (mm)



SPOT LIGHT

SPECIFICATION

Series	MFLR/150
Input Voltage	220-240Vac , 50Hz
Power Factor	> 0.9
Color Temperature	2700K , 5000K
CRI	80 Ra
Beam Angle	8° , 15° , 30°
Driver	Inventronics (EUM-150S) Output 108V Position : Internal
LED Chip	Osram Osconiq P3737 (Option : Oslon SSL)
Housing Materials	Die-Casting Aluminium with Tempered Glass Cover
Color	Black
Operating Temperature	- 40°C to + 50°C
Protection Class	IP 66
Life Time	50000 Hrs
Surge Protection	6KV line-line 10KV line-earth



Accessories (Option)

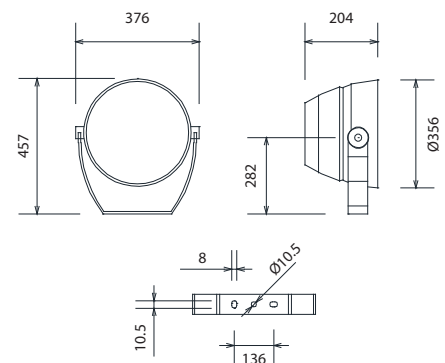
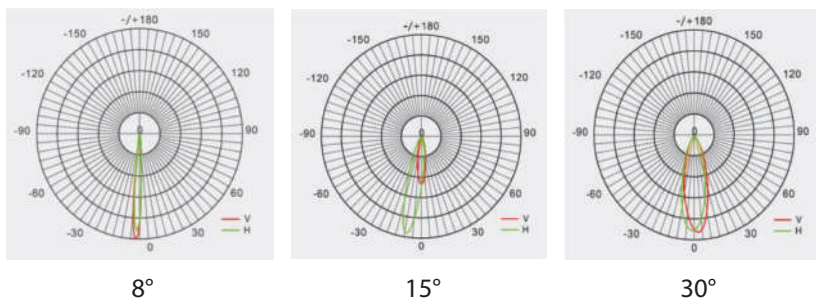


Honeycomb screen Cylindrical screen

Remark *(All of Tolerances $\pm 10\%$)

Model	Rated Power (W)	Efficacy (lm/W)	Luminous Flux (lm)	Dimension WxLxH (mm)	Weight (kg)
MFLR/150	150	75 (2700K) 77 (5000K)	11260 (2700K) 11685 (5000K)	204 x 356 x 457	12

Light Distribution Curve



Dimension Drawing (mm)



SPOT LIGHT

SPECIFICATION

Series	MFLR/150/W
Input Voltage	220-240Vac , 50Hz
Power Factor	> 0.9
Color Temperature	2700K , 3000K , 4000K , 5700K , RGB
CRI	70 Ra , 80 Ra , 90 Ra
Beam Angle	8° , 15° , 30°
Driver	Inventronics , Meanwell , Done , Moso or equivalent
LED Chip	Osram , Lumileds or equivalent
Housing Materials	Die-Casting Aluminium with Tempered Glass Cover
Color	Black
Operating Temperature	- 40°C to + 50°C
Protection Class	IP 66
Life Time	50000 Hrs
Surge Protection	4KV line-line 6KV line-earth
Controls	DMX512



Accessories (Option)

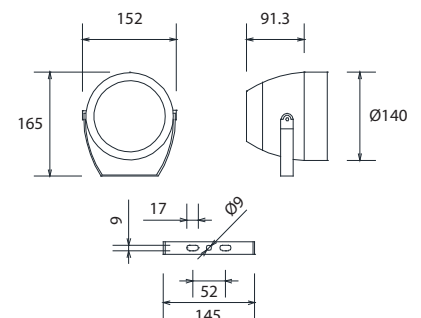
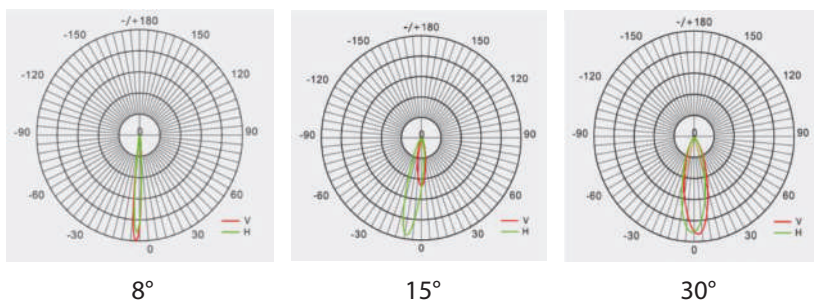


Honeycomb screen Cylindrical screen

Remark *(All of Tolerances $\pm 10\%$)

Model	Rated Power (W)	Efficacy (lm/W)	Dimension WxLxH (mm)	Weight (kg)
MFLR/150/W	18 24	80 (WW , CW , DW) 30 (RGB) 35 (RGBW)	140 x 152 x 128.3	1.2 1.6

Light Distribution Curve



Dimension Drawing (mm)



SPOT LIGHT

SPECIFICATION

Series	MFLR/220/W
Input Voltage	220-240Vac , 50Hz
Power Factor	> 0.9
Color Temperature	2700K , 3000K , 4000K , 5700K , RGB
CRI	70 Ra , 80 Ra , 90 Ra
Beam Angle	8° , 15° , 30°
Driver	Inventronics , Meanwell , Done , Moso or equivalent
LED Chip	Osram , Lumileds or equivalent
Housing Materials	Die-Casting Aluminium with Tempered Glass Cover
Color	Black
Operating Temperature	- 40°C to + 50°C
Protection Class	IP 66
Life Time	50000 Hrs
Surge Protection	6KV line-line 10KV line-earth
Controls	DMX512



Accessories (Option)

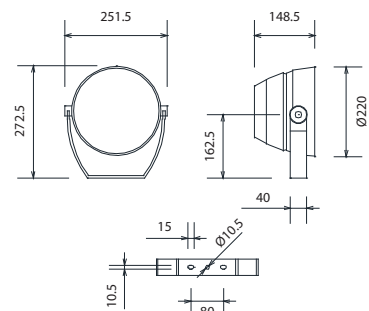
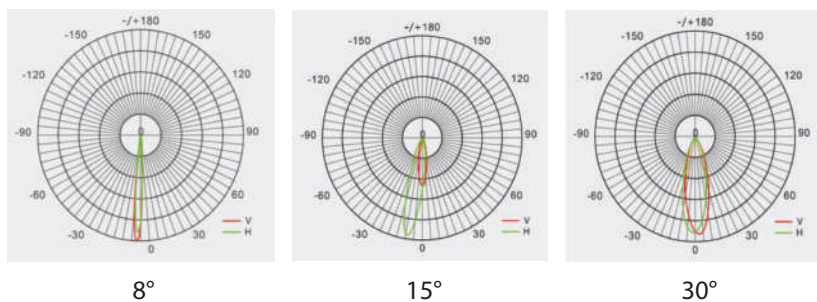


Honeycomb screen Cylindrical screen

Remark *(All of Tolerances $\pm 10\%$)

Model	Rated Power (W)	Efficacy (lm/W)	Dimension WxLxH (mm)	Weight (kg)
MFLR/220/W	48	80 (WW , CW , DW)	148.5 x 251.5 x 272.5	5
	60	30 (RGB)		6
	70	35 (RGBW)		

Light Distribution Curve



Dimension Drawing (mm)



SPOT LIGHT

SPECIFICATION

Series	MFLR/260/W
Input Voltage	220-240Vac , 50Hz
Power Factor	> 0.9
Color Temperature	2700K , 3000K , 4000K , 5700K , RGB
CRI	70 Ra , 80 Ra , 90 Ra
Beam Angle	8° , 15° , 30°
Driver	Inventronics , Meanwell , Done , Moso or equivalent
LED Chip	Osram , Lumileds or equivalent
Housing Materials	Die-Casting Aluminium with Tempered Glass Cover
Color	Black
Operating Temperature	- 40°C to + 50°C
Protection Class	IP 66
Life Time	50000 Hrs
Surge Protection	6KV line-line 10KV line-earth
Controls	DMX512



Accessories (Option)

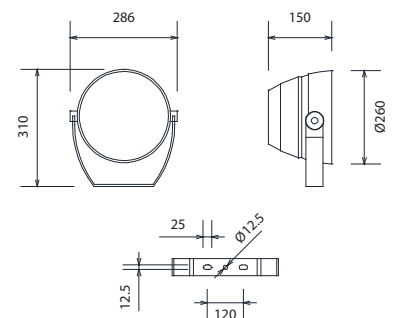
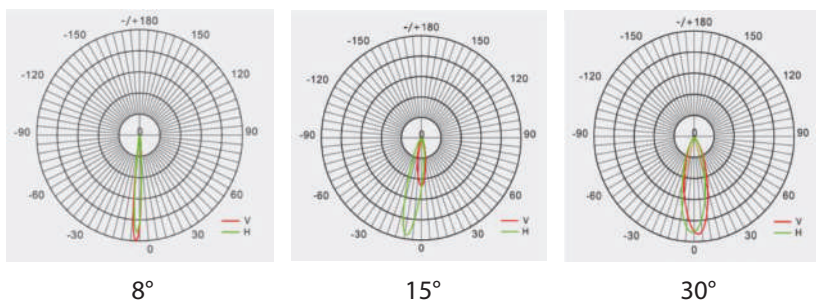


Honeycomb screen Cylindrical screen

Remark *(All of Tolerances \pm 10%)

Model	Rated Power (W)	Efficacy (lm/W)	Dimension WxLxH (mm)	Weight (kg)
MFLR/260/W	64 100	80 (WW , CW , DW) 30 (RGB) 35 (RGBW)	150 x 286 x 310	5 6

Light Distribution Curve



Dimension Drawing (mm)



SPOT LIGHT

SPECIFICATION

Series	MFLR/350/W
Input Voltage	220-240Vac , 50Hz
Power Factor	> 0.9
Color Temperature	2700K , 3000K , 4000K , 5700K , RGB
CRI	70 Ra , 80 Ra , 90 Ra
Beam Angle	8° , 15° , 30°
Driver	Inventronics , Meanwell , Done , Moso or equivalent
LED Chip	Osram , Lumileds or equivalent
Housing Materials	Die-Casting Aluminium with Tempered Glass Cover
Color	Black
Operating Temperature	- 40°C to + 50°C
Protection Class	IP 66
Life Time	50000 Hrs
Surge Protection	6KV line-line 10KV line-earth
Controls	DMX512



Accessories (Option)

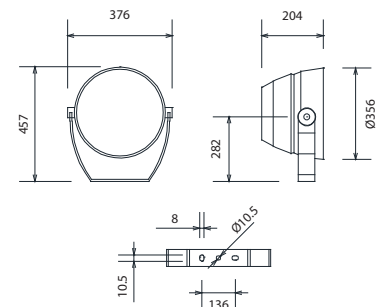
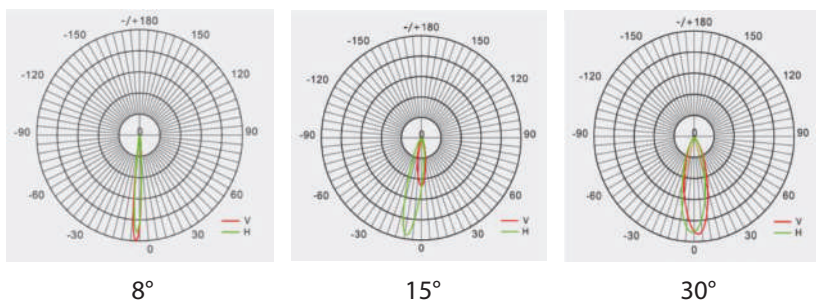


Honeycomb screen Cylindrical screen

Remark *(All of Tolerances $\pm 10\%$)

Model	Rated Power (W)	Efficacy (lm/W)	Dimension WxLxH (mm)	Weight (kg)
MFLR/350/W	90	80 (WW , CW , DW)	204 x 356 x 457	9
	150	30 (RGB)		11
	180	35 (RGBW)		12

Light Distribution Curve



Dimension Drawing (mm)



SPOT LIGHT

SPECIFICATION

Series	MFLSR/210
Input Voltage	220-240Vac , 50Hz
Power Factor	> 0.9
Color Temperature	2700K , 5000K
CRI	80 Ra
Beam Angle	15° , 30°
Driver	Inventronics (EBV-350S) Output 36V Position : at Bracket
LED Chip	Osram Osconiq P3737 (Option : Oslon SSL)
Housing Materials	Die-Casting Aluminium with PC Lens
Color	Black
Operating Temperature	- 40°C to + 50°C
Protection Class	IP 66
Life Time	50000 Hrs
Surge Protection	4KV line-line 6KV line-earth



Accessories (Option)

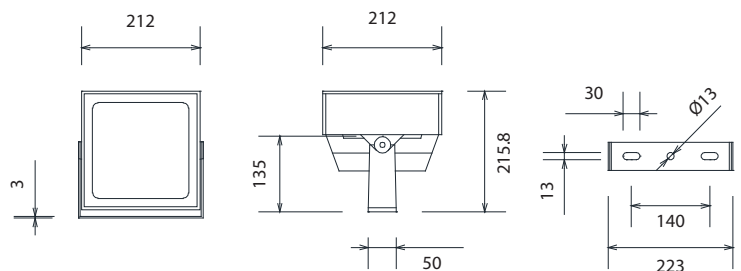
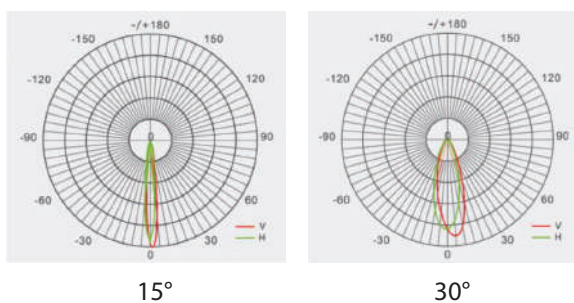


Anti-glare Baffle

Remark *(All of Tolerances $\pm 10\%$)

Model	Rated Power (W)	Efficacy (lm/W)	Luminous Flux (lm)	Dimension WxLxH (mm)	Weight (kg)
MFLSR/210	100	66 (2700K) 67 (5000K)	6600 (2700K) 6700 (5000K)	212 x 212 x 215.8	4.5

Light Distribution Curve



Dimension Drawing (mm)



SPOT LIGHT

SPECIFICATION

Series	MFLSR/300
Input Voltage	220-240Vac , 50Hz
Power Factor	> 0.9
Color Temperature	2700K , 5000K
CRI	80 Ra
Beam Angle	15° , 30°
Driver	Inventronics (EBV-350S) Output 36V Position : at Bracket
LED Chip	Osram Osconiq P3737 (Option : Oslon SSL)
Housing Materials	Die-Casting Aluminium with PC Lens
Color	Black
Operating Temperature	- 40°C to + 50°C
Protection Class	IP 66
Life Time	50000 Hrs
Surge Protection	4KV line-line 6KV line-earth



Accessories (Option)

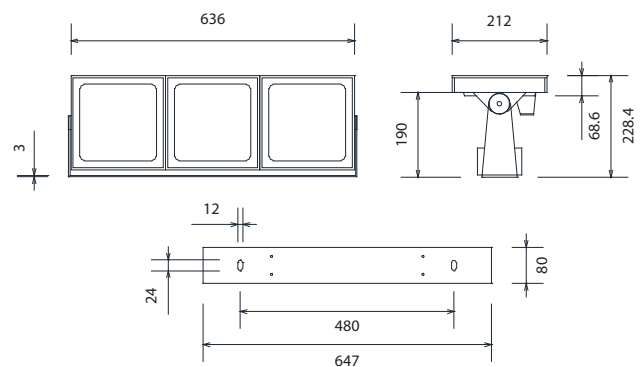
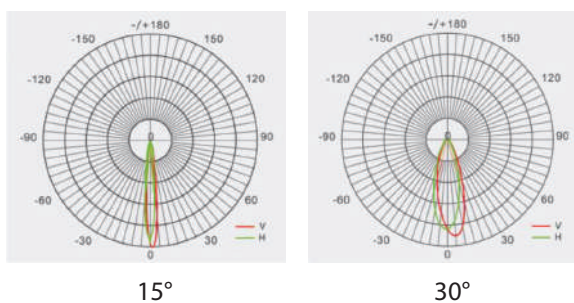


Anti-glare Baffle

Remark *(All of Tolerances $\pm 10\%$)

Model	Rated Power (W)	Efficacy (lm/W)	Luminous Flux (lm)	Dimension WxLxH (mm)	Weight (kg)
MFLSR/300	300	66 (2700K) 67 (5000K)	20000 (2700K) 20320 (5000K)	212 x 636 x 215.8	13.5

Light Distribution Curve



Dimension Drawing (mm)



SPOT LIGHT

SPECIFICATION

Series	MFSLR/210/W
Input Voltage	220-240Vac , 50Hz
Power Factor	> 0.9
Color Temperature	2700K , 3000K , 4000K , 5700K , RGB
CRI	70 Ra , 80 Ra , 90 Ra
Beam Angle	15° , 30°
Driver	Inventronics , Meanwell , Done , Moso or equivalent
LED Chip	Osram , Lumileds or equivalent
Housing Materials	Die-Casting Aluminium with Tempered Glass Cover
Color	Black
Operating Temperature	- 40°C to + 50°C
Protection Class	IP 66
Life Time	50000 Hrs
Surge Protection	4KV line-line 6KV line-earth
Controls	DMX512



Accessories (Option)

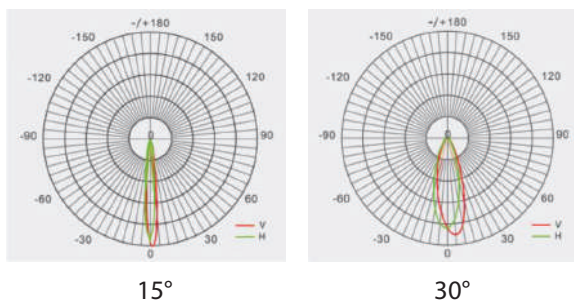


Anti-glare Baffle

Remark *(All of Tolerances $\pm 10\%$)

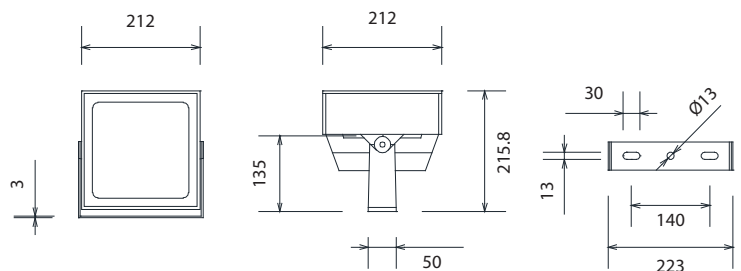
Model	Rated Power (W)	Efficacy (lm/W)	Dimension WxLxH (mm)	Weight (kg)
MFSLR/210/W	100	80 (WW , CW , DW) 30 (RGB) 35 (RGBW)	212 x 212 x 215.8	4.5

Light Distribution Curve



15°

30°



Dimension Drawing (mm)



SPOT LIGHT

SPECIFICATION

Series	MFSLR/300/W
Input Voltage	220-240Vac , 50Hz
Power Factor	> 0.9
Color Temperature	2700K , 3000K , 4000K , 5700K , RGB
CRI	70 Ra , 80 Ra , 90 Ra
Beam Angle	15° , 30°
Driver	Inventronics , Meanwell , Done , Moso or equivalent
LED Chip	Osram , Lumileds or equivalent
Housing Materials	Die-Casting Aluminium with Tempered Glass Cover
Color	Black
Operating Temperature	- 40°C to + 50°C
Protection Class	IP 66
Life Time	50000 Hrs
Surge Protection	4KV line-line 6KV line-earth
Controls	DMX512



Accessories (Option)

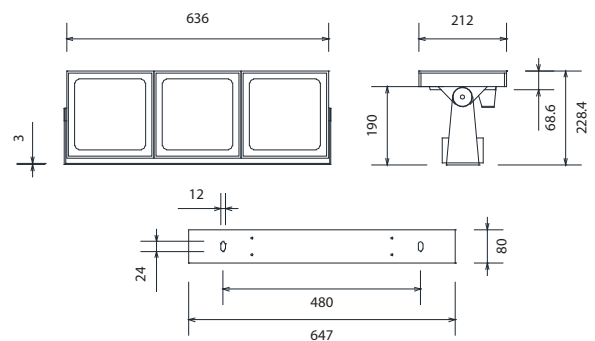
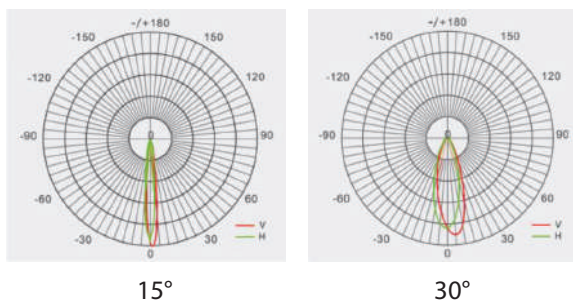


Anti-glare Baffle

Remark *(All of Tolerances $\pm 10\%$)

Model	Rated Power (W)	Efficacy (lm/W)	Dimension WxLxH (mm)	Weight (kg)
MFSLR/300/W	300	80 (WW , CW , DW) 30 (RGB) 35 (RGBW)	212 x 636 x 215.8	13.5

Light Distribution Curve



Dimension Drawing (mm)





WINLIGHT

WINNER LIGHT CORPORATION CO., LTD.

37, 39 Soi Ekachai 72, Khlong Bang Phran, Bangbon, Bangkok, 10150 Thailand.

Tax : 0105552124285 Tel : 02-415-7577, 081-880-6616

Email : sale_wlc@winnerlight.co.th, sale.wlc@hotmail.com

www.winnerlight.co.th