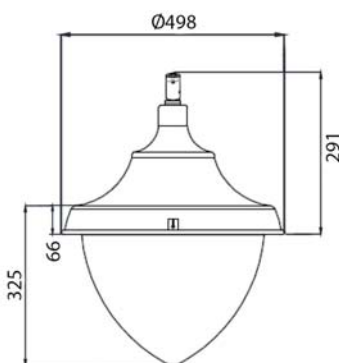


SPECIFICATION



Parameter	UNIUrban
Type	BSS461
Light Source	LED
Power Consumption	33W / 65W / 100W
Input Voltage	110-277V AC, 50/60 Hz
System lumen output	33W: 4000lm 65W: 7800lm 100W: 12000lm
System Efficacy	≥ 120lm/w
CRI	≥ 70
Color Temperature	3000K / 4000K
Color Consistency	SDCM ≤ 5
Optical	PC cover
Housing Materials	Die-cast Aluminium 5mm plate tempered glass 5mm
Surface Color	RAL9007
Input Interface	flying wire : 60cm, 3*1.0mm ²
Lifetime	50,000 hrs (L70/B50) @ta=40°C
Weight	7.7-8.5KG net weight
IP / IK Grade / Classifications	IP65; IK 08; Class I
Operating Temperature	- 40°C to + 50°C
Controls	ON / OFF
Certifications	CB, CQC, SAA, CE
Appearance/Mounting type	Classic Suspend



TYPE	POWER	CCT	TILT ANGLE	PRICE
BSS461 LED40/WW 110-277V CLASSIC	33W	3000K	N.A	18,200
BSS461 LED40/NW 110-277V CLASSIC	33W	4000K	N.A	18,200
BSS461 LED78/WW 110-277V CLASSIC	65W	3000K	N.A	20,100
BSS461 LED78/NW 110-277V CLASSIC	65W	4000K	N.A	20,100
BSS461 LED120/WW 110-277V CLASSIC	100W	3000K	N.A	22,300
BSS461 LED120/NW 110-277V CLASSIC	100W	4000K	N.A	22,300

* ราคาไม่รวมเสาไฟและฐานราก

ZCP461 Chess cover



ZSP461 Screw-thread 24
240mm

