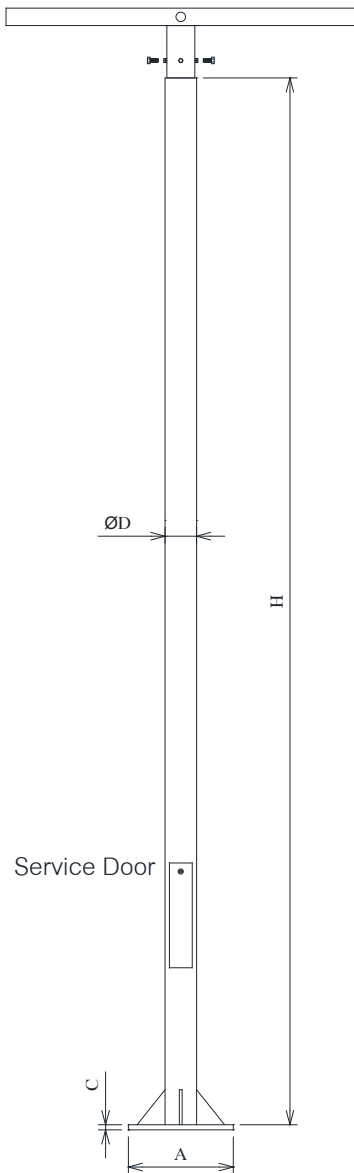


SQUARE STEP

SPECIFICATION

- SQUARE TUBULAR STEEL, WHICH 3.2MM.IN THICKNESS, SERVICE DOOR FOR CABLE CONNECTION, HOT DIP GALVANIZED OR UV RESISTANT POLYESTER POWDER COAT



| DIMENSIONS (mm.) | | | | | | |
|--------------------|-----|------------|-----|-------|-------|---------|
| MODEL | H | A x B x C | D | Ø | ØD | ADAPTER |
| WST413 T3 3M | 3 M | 300x300x15 | 200 | 25x60 | 3"x3" | 2" |
| WST413 T3 4M | 4 M | 300x300x15 | 200 | 25x60 | 3"x3" | 2" |
| WST413 T3 5M | 5 M | 350x350x15 | 250 | 30x70 | 3"x3" | 2" |
| WST413 T3 6M | 6 M | 350x350x15 | 250 | 30x70 | 3"x3" | 2" |
| DIMENSIONS (mm.) | | | | | | |
| MODEL | H | A x B x C | D | Ø | ØD | ADAPTER |
| WST414 T3 3M | 3 M | 300x300x15 | 200 | 25x60 | 4"x4" | 2" |
| WST414 T3 4M | 4 M | 300x300x15 | 200 | 25x60 | 4"x4" | 2" |
| WST414 T3 5M | 5 M | 350x350x15 | 250 | 30x70 | 4"x4" | 2" |
| WST414 T3 6M | 6 M | 350x350x15 | 250 | 30x70 | 4"x4" | 2" |
| WST414 T3 7M | 7 M | 350x350x15 | 250 | 30x70 | 4"x4" | 2" |
| WST414 T3 8M | 8 M | 350x350x15 | 250 | 30x70 | 4"x4" | 2" |
| WST414 T3 9M | 9 M | 400x400x15 | 300 | 30x70 | 4"x4" | 2" |
| DIMENSIONS (mm.) | | | | | | |
| MODEL | H | A x B x C | D | Ø | ØD | ADAPTER |
| WST415 T3 3M | 3 M | 300x300x15 | 200 | 25x60 | 5"x5" | 2" |
| WST415 T3 4M | 4 M | 300x300x15 | 200 | 25x60 | 5"x5" | 2" |
| WST415 T3 5M | 5 M | 350x350x15 | 250 | 30x70 | 5"x5" | 2" |
| WST415 T3 6M | 6 M | 350x350x15 | 250 | 30x70 | 5"x5" | 2" |
| WST415 T3 7M | 7 M | 350x350x15 | 250 | 30x70 | 5"x5" | 2" |
| WST415 T3 8M | 8 M | 350x350x15 | 250 | 30x70 | 5"x5" | 2" |
| WST415 T3 9M | 9 M | 400x400x15 | 300 | 30x70 | 5"x5" | 2" |

