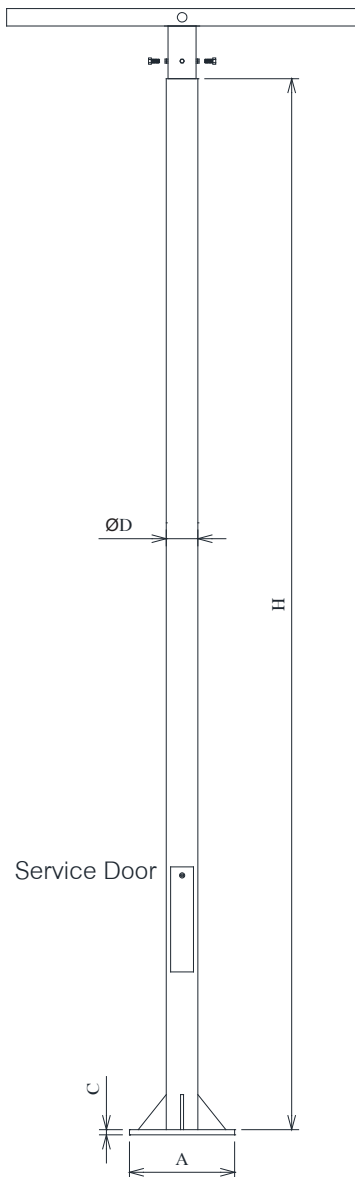


SQUARE STEP

SPECIFICATION

- SQUARE TUBULAR STEEL, WHICH 3.2MM.IN THICKNESS, SERVICE DOOR FOR CABLE CONNECTION, HOT DIP GALVANIZED OR UV RESISTANT POLYESTER POWDER COAT



DIMENSIONS (mm.)						
MODEL	H	A x B x C	D	Ø	ØD	ADAPTER
WST413 T2 3M	3 M	300x300x15	200	25x60	3"x3"	2"
WST413 T2 4M	4 M	300x300x15	200	25x60	3"x3"	2"
WST413 T2 5M	5 M	350x350x15	250	30x70	3"x3"	2"
WST413 T2 6M	6 M	350x350x15	250	30x70	3"x3"	2"
DIMENSIONS (mm.)						
MODEL	H	A x B x C	D	Ø	ØD	ADAPTER
WST414 T2 3M	3 M	300x300x15	200	25x60	4"x4"	2"
WST414 T2 4M	4 M	300x300x15	200	25x60	4"x4"	2"
WST414 T2 5M	5 M	350x350x15	250	30x70	4"x4"	2"
WST414 T2 6M	6 M	350x350x15	250	30x70	4"x4"	2"
WST414 T2 7M	7 M	350x350x15	250	30x70	4"x4"	2"
WST414 T2 8M	8 M	350x350x15	250	30x70	4"x4"	2"
WST414 T2 9M	9 M	400x400x15	300	30x70	4"x4"	2"
DIMENSIONS (mm.)						
MODEL	H	A x B x C	D	Ø	ØD	ADAPTER
WST415 T2 3M	3 M	300x300x15	200	25x60	5"x5"	2"
WST415 T2 4M	4 M	300x300x15	200	25x60	5"x5"	2"
WST415 T2 5M	5 M	350x350x15	250	30x70	5"x5"	2"
WST415 T2 6M	6 M	350x350x15	250	30x70	5"x5"	2"
WST415 T2 7M	7 M	350x350x15	250	30x70	5"x5"	2"
WST415 T2 8M	8 M	350x350x15	250	30x70	5"x5"	2"
WST415 T2 9M	9 M	400x400x15	300	30x70	5"x5"	2"

