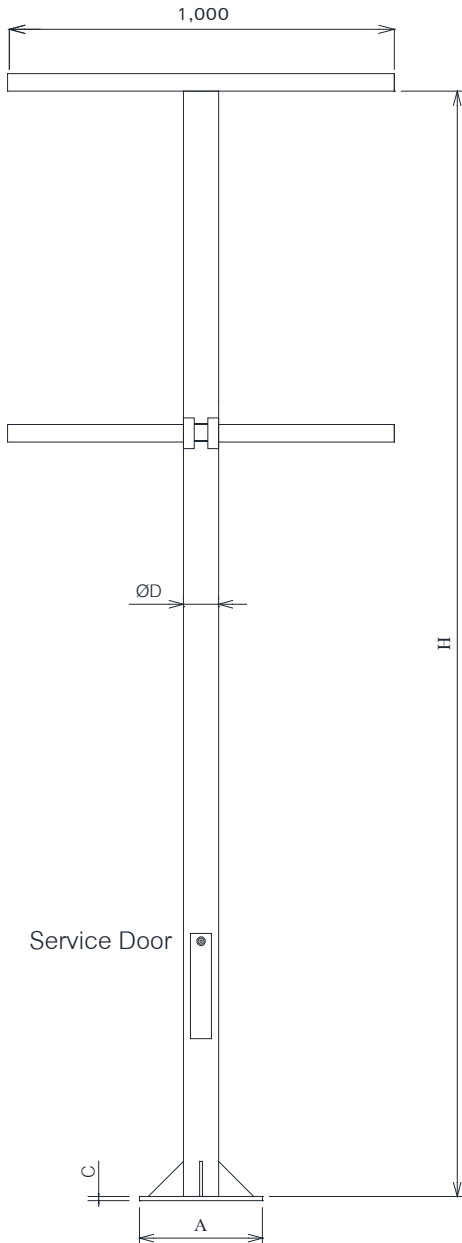


TUBULAR STEP

SPECIFICATION

- TUBULAR STEEL, WHICH 3.2MM.IN THICKNESS, SERVICE DOOR FOR CABLE CONNECTION, HOT DIP GALVANIZED OR UV RESISTANT POLYESTER POWDER COAT



| DIMENSIONS (mm.) | | | | | |
|--------------------|-----|------------|-----|-------|----|
| MODEL | H | A x B x C | D | Ø | ØD |
| WST113 T4-2 3M | 3 M | 300x300x15 | 200 | 25x60 | 3" |
| WST113 T4-2 4M | 4 M | 300x300x15 | 200 | 25x60 | 3" |
| WST113 T4-2 5M | 5 M | 350x350x15 | 250 | 30x70 | 3" |
| WST113 T4-2 6M | 6 M | 350x350x15 | 250 | 30x70 | 3" |
| DIMENSIONS (mm.) | | | | | |
| MODEL | H | A x B x C | D | Ø | ØD |
| WST114 T4-2 3M | 3 M | 300x300x15 | 200 | 25x60 | 4" |
| WST114 T4-2 4M | 4 M | 300x300x15 | 200 | 25x60 | 4" |
| WST114 T4-2 5M | 5 M | 350x350x15 | 250 | 30x70 | 4" |
| WST114 T4-2 6M | 6 M | 350x350x15 | 250 | 30x70 | 4" |
| WST114 T4-2 7M | 7 M | 350x350x15 | 250 | 30x70 | 4" |
| WST114 T4-2 8M | 8 M | 350x350x15 | 250 | 30x70 | 4" |
| WST114 T4-2 9M | 9 M | 400x400x15 | 300 | 30x70 | 4" |
| DIMENSIONS (mm.) | | | | | |
| MODEL | H | A x B x C | D | Ø | ØD |
| WST115 T4-2 3M | 3 M | 300x300x15 | 200 | 25x60 | 5" |
| WST115 T4-2 4M | 4 M | 300x300x15 | 200 | 25x60 | 5" |
| WST115 T4-2 5M | 5 M | 350x350x15 | 250 | 30x70 | 5" |
| WST115 T4-2 6M | 6 M | 350x350x15 | 250 | 30x70 | 5" |
| WST115 T4-2 7M | 7 M | 350x350x15 | 250 | 30x70 | 5" |
| WST115 T4-2 8M | 8 M | 350x350x15 | 250 | 30x70 | 5" |
| WST115 T4-2 9M | 9 M | 400x400x15 | 300 | 30x70 | 5" |

