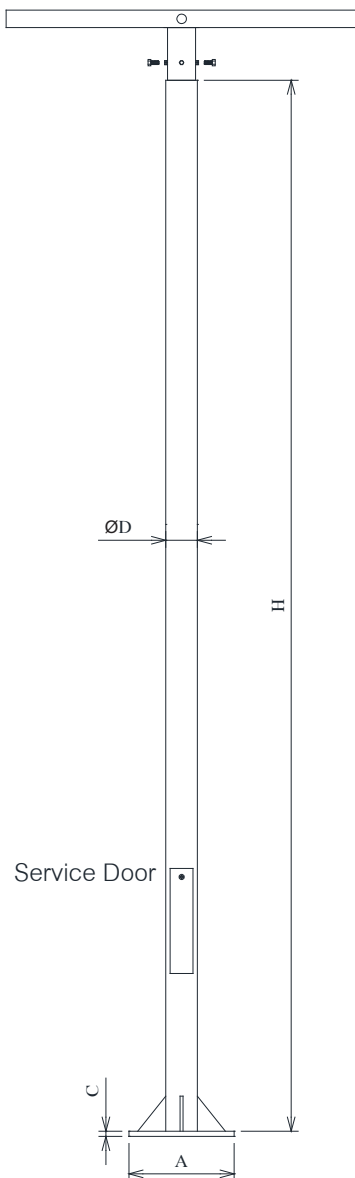


## TUBULAR STEP

### SPECIFICATION

- TUBULAR STEEL, WHICH 3.2MM.IN THICKNESS, SERVICE DOOR FOR CABLE CONNECTION, HOT DIP GALVANIZED OR UV RESISTANT POLYESTER POWDER COAT



DIMENSIONS ( mm. )					
MODEL	H	A x B x C	D	Ø	ØD
WST113 T2 3M	3 M	300x300x15	200	25x60	3"
WST113 T2 4M	4 M	300x300x15	200	25x60	3"
WST113 T2 5M	5 M	350x350x15	250	30x70	3"
WST113 T2 6M	6 M	350x350x15	250	30x70	3"
DIMENSIONS ( mm. )					
MODEL	H	A x B x C	D	Ø	ØD
WST114 T2 3M	3 M	300x300x15	200	25x60	4"
WST114 T2 4M	4 M	300x300x15	200	25x60	4"
WST114 T2 5M	5 M	350x350x15	250	30x70	4"
WST114 T2 6M	6 M	350x350x15	250	30x70	4"
WST114 T2 7M	7 M	350x350x15	250	30x70	4"
WST114 T2 8M	8 M	350x350x15	250	30x70	4"
WST114 T2 9M	9 M	400x400x15	300	30x70	4"
DIMENSIONS ( mm. )					
MODEL	H	A x B x C	D	Ø	ØD
WST115 T2 3M	3 M	300x300x15	200	25x60	5"
WST115 T2 4M	4 M	300x300x15	200	25x60	5"
WST115 T2 5M	5 M	350x350x15	250	30x70	5"
WST115 T2 6M	6 M	350x350x15	250	30x70	5"
WST115 T2 7M	7 M	350x350x15	250	30x70	5"
WST115 T2 8M	8 M	350x350x15	250	30x70	5"
WST115 T2 9M	9 M	400x400x15	300	30x70	5"

