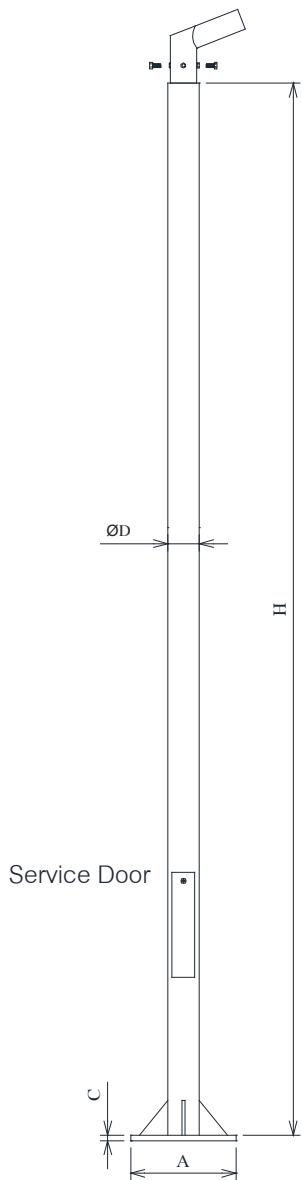


TUBULAR STEP

SPECIFICATION

- TUBULAR STEEL, WHICH 3.2MM.IN THICKNESS, SERVICE DOOR FOR CABLE CONNECTION, HOT DIP GALVANIZED OR UV RESISTANT POLYESTER POWDER COAT



DIMENSIONS (mm.)						
MODEL	H	A x B x C	D	Ø	ØD	ADAPTER
WST113 B1 3M	3 M	300x300x15	200	25x60	3"	2"
WST113 B1 4M	4 M	300x300x15	200	25x60	3"	2"
WST113 B1 5M	5 M	350x350x15	250	30x70	3"	2"
WST113 B1 6M	6 M	350x350x15	250	30x70	3"	2"
DIMENSIONS (mm.)						
MODEL	H	A x B x C	D	Ø	ØD	ADAPTER
WST114 B1 3M	3 M	300x300x15	200	25x60	4"	2"
WST114 B1 4M	4 M	300x300x15	200	25x60	4"	2"
WST114 B1 5M	5 M	350x350x15	250	30x70	4"	2"
WST114 B1 6M	6 M	350x350x15	250	30x70	4"	2"
WST114 B1 7M	7 M	350x350x15	250	30x70	4"	2"
WST114 B1 8M	8 M	350x350x15	250	30x70	4"	2"
WST114 B1 9M	9 M	400x400x15	300	30x70	4"	2"
DIMENSIONS (mm.)						
MODEL	H	A x B x C	D	Ø	ØD	ADAPTER
WST115 B1 3M	3 M	300x300x15	200	25x60	5"	2"
WST115 B1 4M	4 M	300x300x15	200	25x60	5"	2"
WST115 B1 5M	5 M	350x350x15	250	30x70	5"	2"
WST115 B1 6M	6 M	350x350x15	250	30x70	5"	2"
WST115 B1 7M	7 M	350x350x15	250	30x70	5"	2"
WST115 B1 8M	8 M	350x350x15	250	30x70	5"	2"
WST115 B1 9M	9 M	400x400x15	300	30x70	5"	2"

