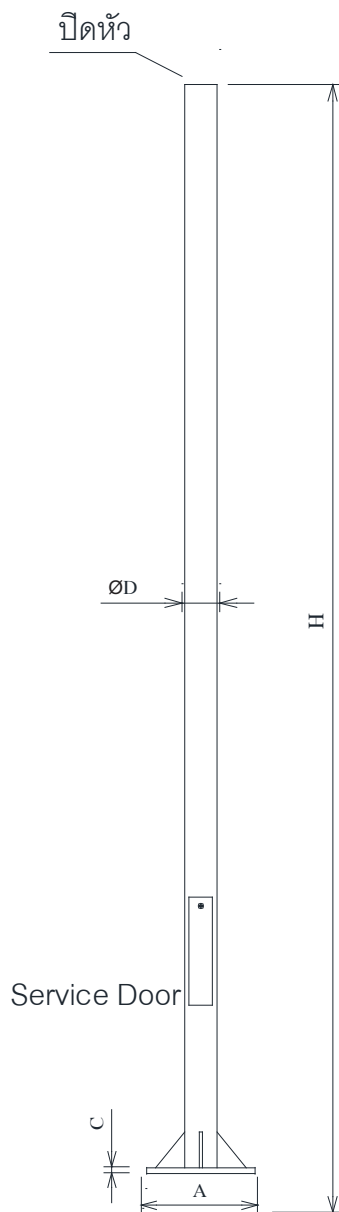


## TUBULAR STEP TYPE

### SPECIFICATION

- TUBULAR STEEL, WHICH 3.2MM.IN THICKNESS, SERVICE DOOR FOR CABLE CONNECTION, HOT DIP GALVANIZED OR UV RESISTANT POLYESTER POWDER COAT



DIMENSIONS ( mm. )					
MODEL	H	A x B x C	D	Ø	ØD
WST103 3M	3 M	300x300x15	200	25x60	3"
WST1034M	4 M	300x300x15	200	25x60	3"
WST103 5M	5 M	350x350x15	250	30x70	3"
WST103 6M	6 M	350x350x15	250	30x70	3"

