

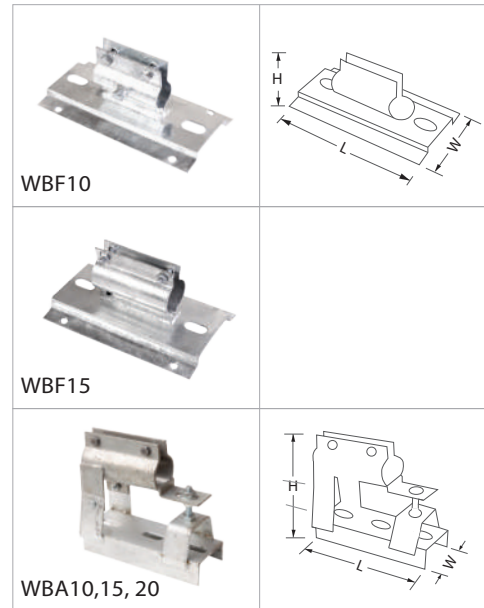
ARM BRACKET

ARM BRACKET

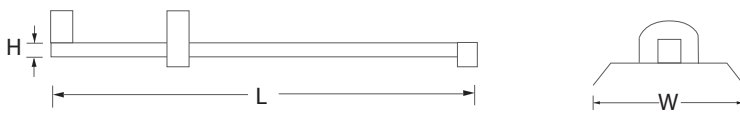
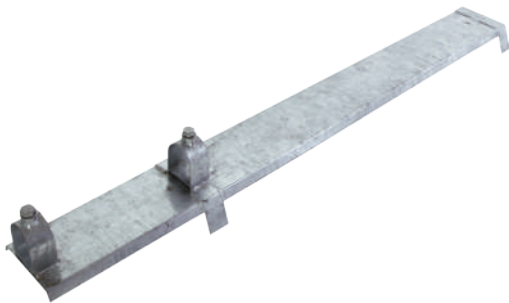
SPECIFICATION

- MADE OF HOT ROLLED STEEL FINISH WITH HOT DIP GALVANIZED

MODEL	TYPE	DIMENSIONS (mm.)		
		W	L	H
WBF10	FIX 1.0"	125	242	96
WBF15	FIX 1.5"	144	242	125
WBA10	ADJUST 1.0"	75	240	165
WBA15	ADJUST 1.5"	100	240	192
WBA20	ADJUST 2.0"	100	240	200



BRACKET PLATE



MODEL	TYPE	DIMENSIONS (mm.)		
		W	L	H
WBP15	1 X 28W,54W,36W	125	242	96
WBP15	1 X 28W,54W,36W	144	242	125
WBP25	1 X 28W,54W,36W	75	240	165